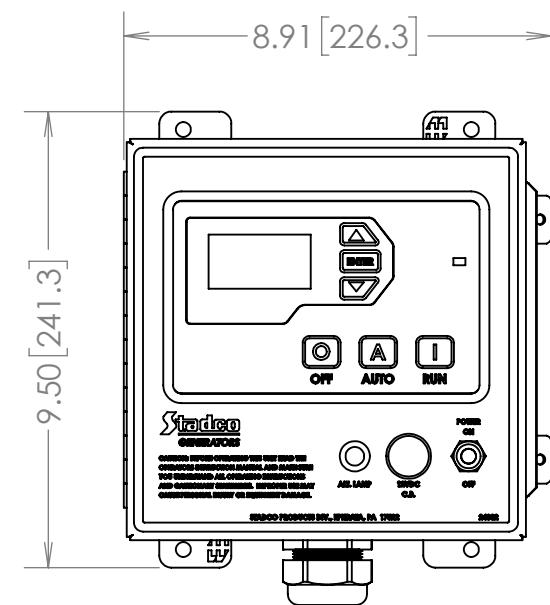
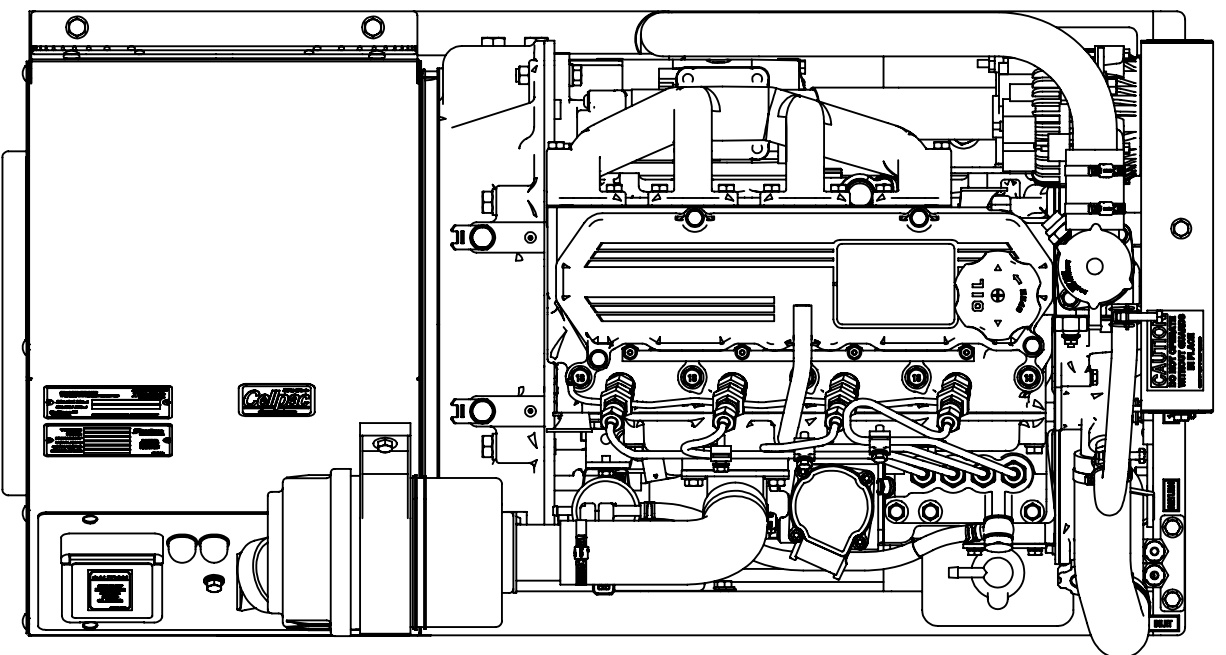
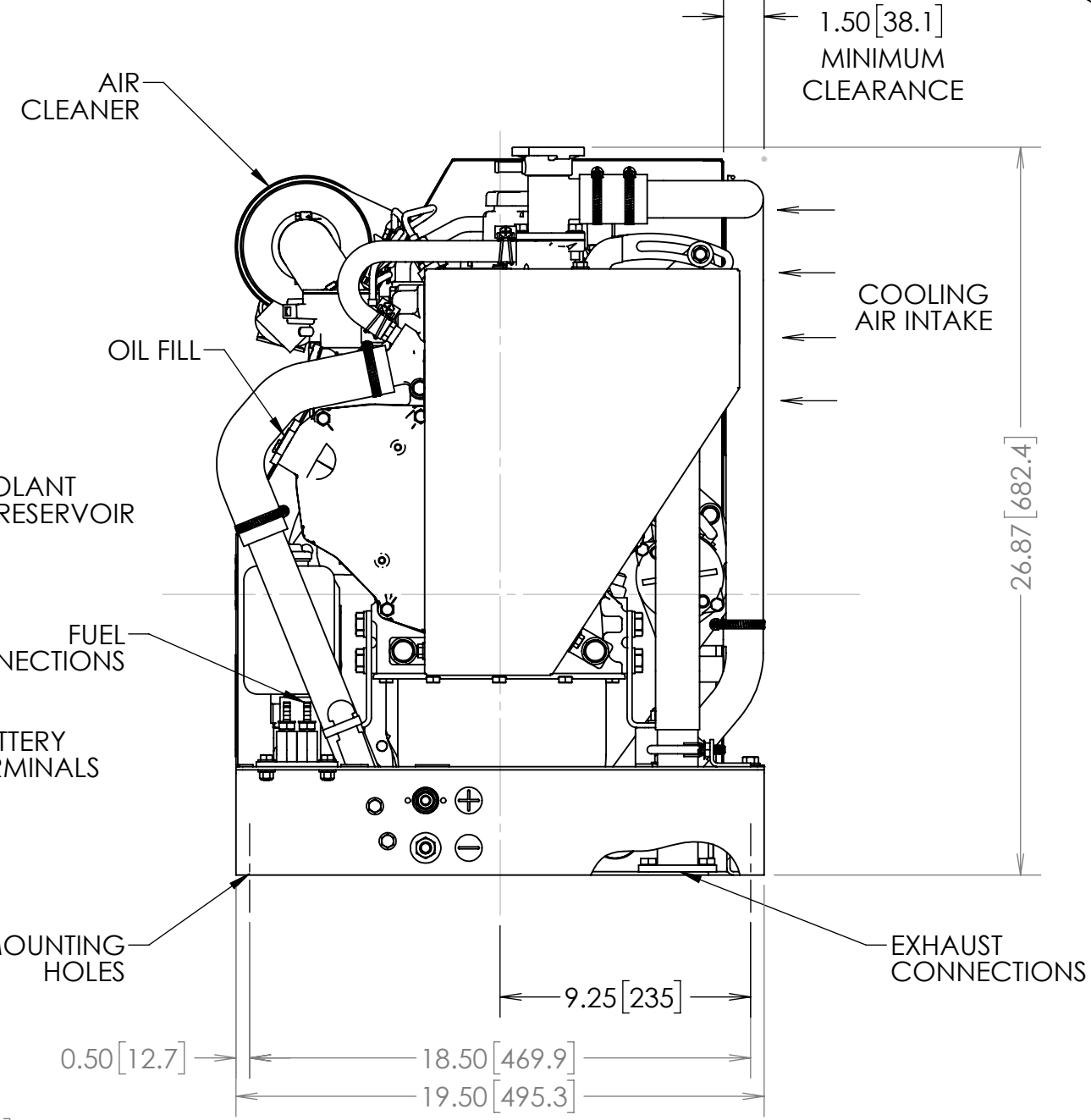
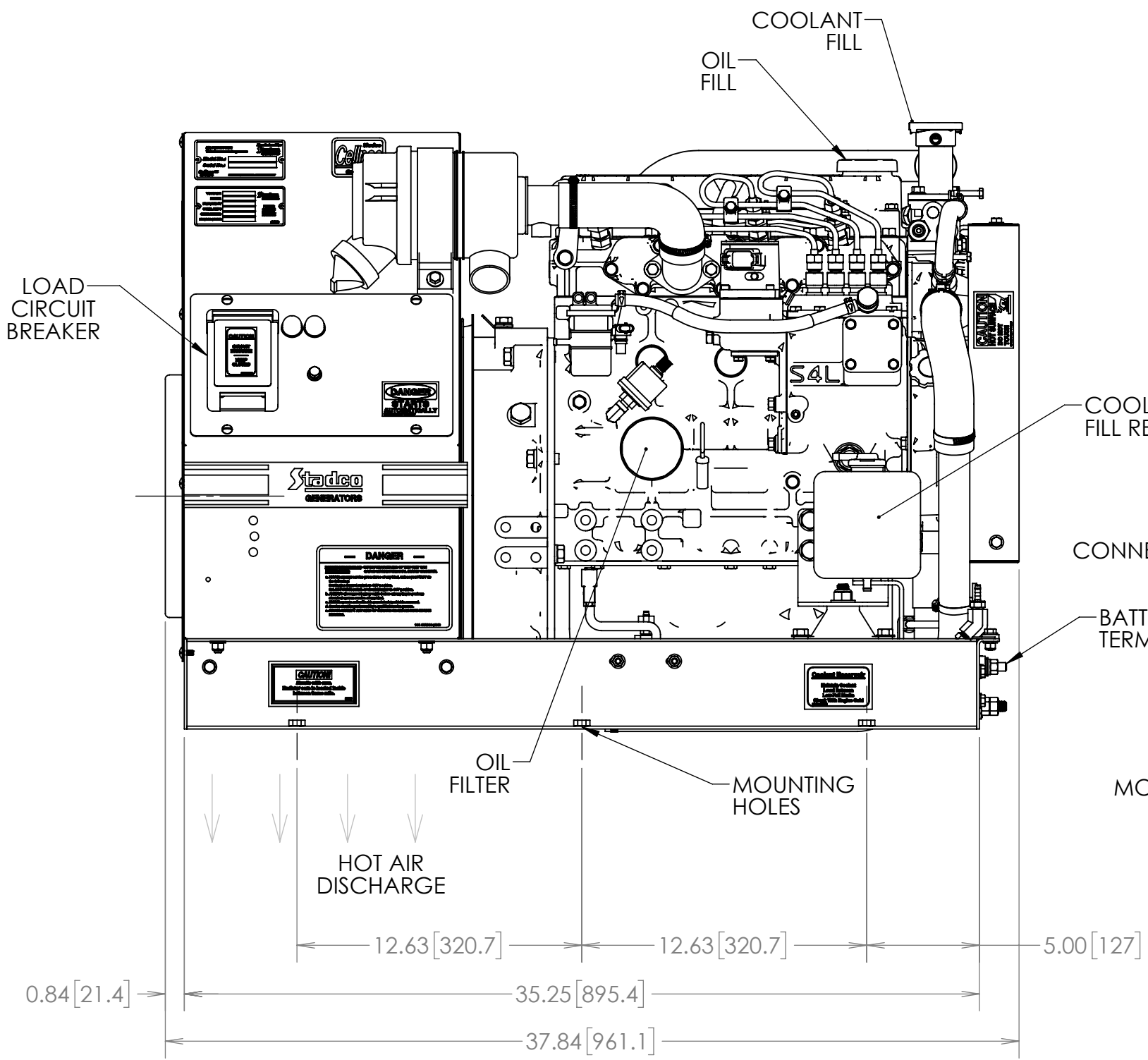
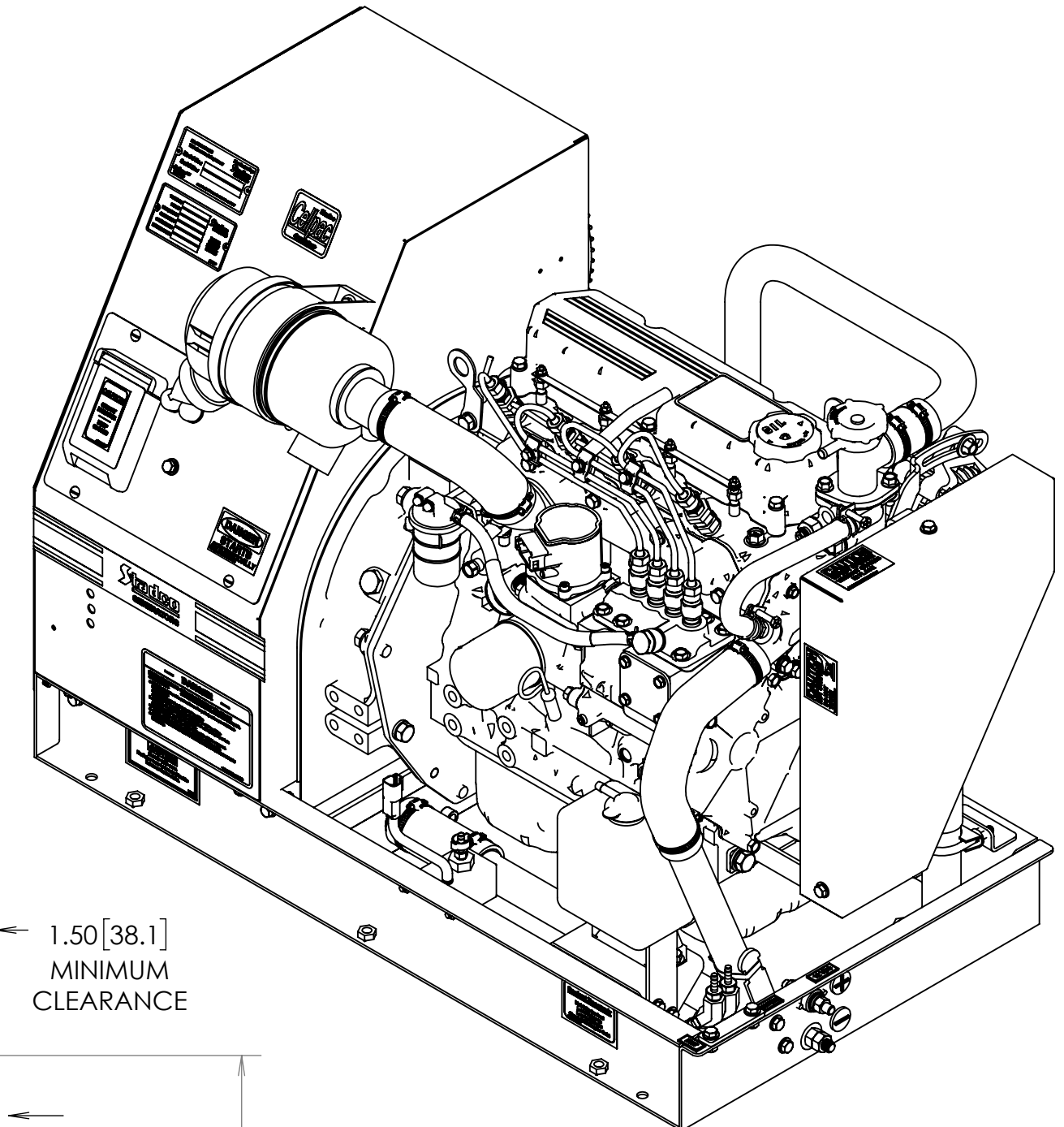


COOLING AIR INTAKE



STANDARD 1779 CONTROL PANEL SCALE 1:4



INFORMATION CONTAINED HEREIN IS DEEMED RELIABLE BUT NOT GUARANTEED.

TITLE: SALES DRAWING CP15E		
THE FOLLOWING TOLERANCES APPLY UNLESS OTHERWISE SPECIFIED:		
DIMENSIONS ARE IN INCHES [MM]		
FRACTIONAL ± 1/32		
ANGULAR: MACH ± 1° BEND ± 1°		
ONE PLACE DECIMAL ± .060		
TWO PLACE DECIMAL ± .030		
THREE PLACE DECIMAL ± .010		
DRILLED HOLES +.008 - .003		
PUNCHED HOLES ± .016		
MACHINED SURFACES ARE $\sqrt{125}$		
DRAWN BY:	DATE:	DWG. NO.:
B.K. HELM	7/23/2018	13635
SCALE: 1:6	WEIGHT: 354.36	SHEET 1 OF 1

PROPRIETARY AND CONFIDENTIAL
 THE INFORMATION CONTAINED IN THIS DRAWING IS THE SOLE PROPERTY OF STADCO/STAUFFER DIESEL INC. ANY REPRODUCTION IN PART OR AS A WHOLE WITHOUT THE WRITTEN PERMISSION OF STADCO/STAUFFER DIESEL INC. IS PROHIBITED.