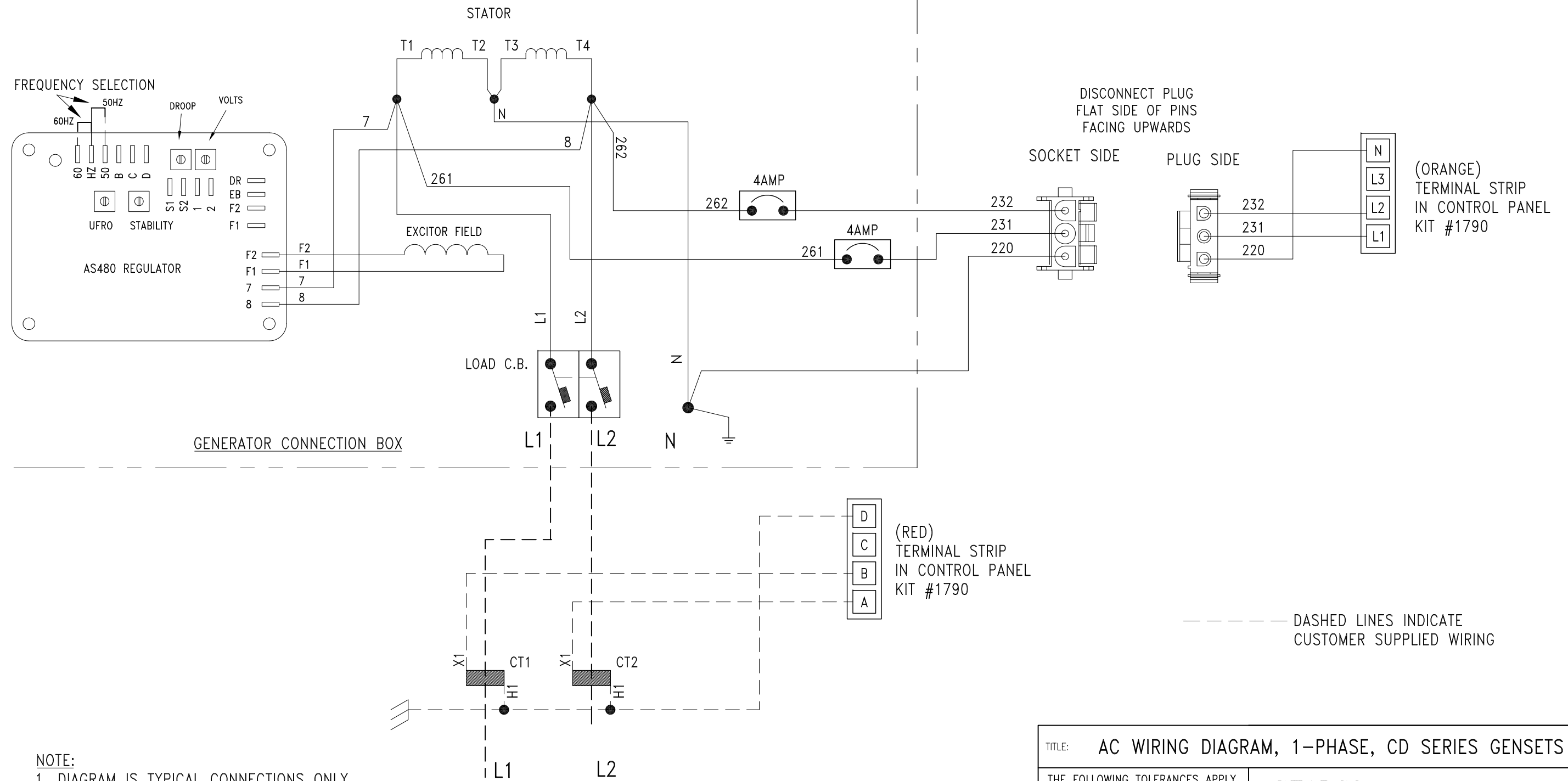


REV	DESCRIPTION	DATE	INT.	ECN
B	ADDED TERMINAL STRIP WIRING CONNECTIONS	3/29/2016	BKH	3609



NOTE:  
 1. DIAGRAM IS TYPICAL CONNECTIONS ONLY.  
 2. DASHED LINES INDICATE WIRING TO BE PROVIDED BY CUSTOMER.

----- DASHED LINES INDICATE CUSTOMER SUPPLIED WIRING

TITLE: AC WIRING DIAGRAM, 1-PHASE, CD SERIES GENSETS		
THE FOLLOWING TOLERANCES APPLY UNLESS OTHERWISE SPECIFIED: ALL DIMENSIONS ARE INCH [mm] DECIMALS                      ANGLES .X ± .060                        ± 1° .XX ± .030                      FRACTIONS .XXX ± .010                    ± 1/32 MACHINED SURFACES ARE 125 ✓ DRILLED HOLES +.008 -.003 PUNCHED HOLES ±.016		
<b>STADCO</b> <b>STAUFFER DIESEL INC</b> EPHRATA, PA., U.S.A. 17522		DRAWN BY: <b>B.K. HELM</b>
SCALE: FULL	DATE: 6/19/2013	
GROUP NO.	ORDER NO. 1 OF 1	DRAWING NO. 13066B