

REV	DESCRIPTION	DATE	INT.	ECN
A	ADDED TERMINAL STRIP WIRING CONNECTIONS	3/29/2016	BKH	3609

A

A

B

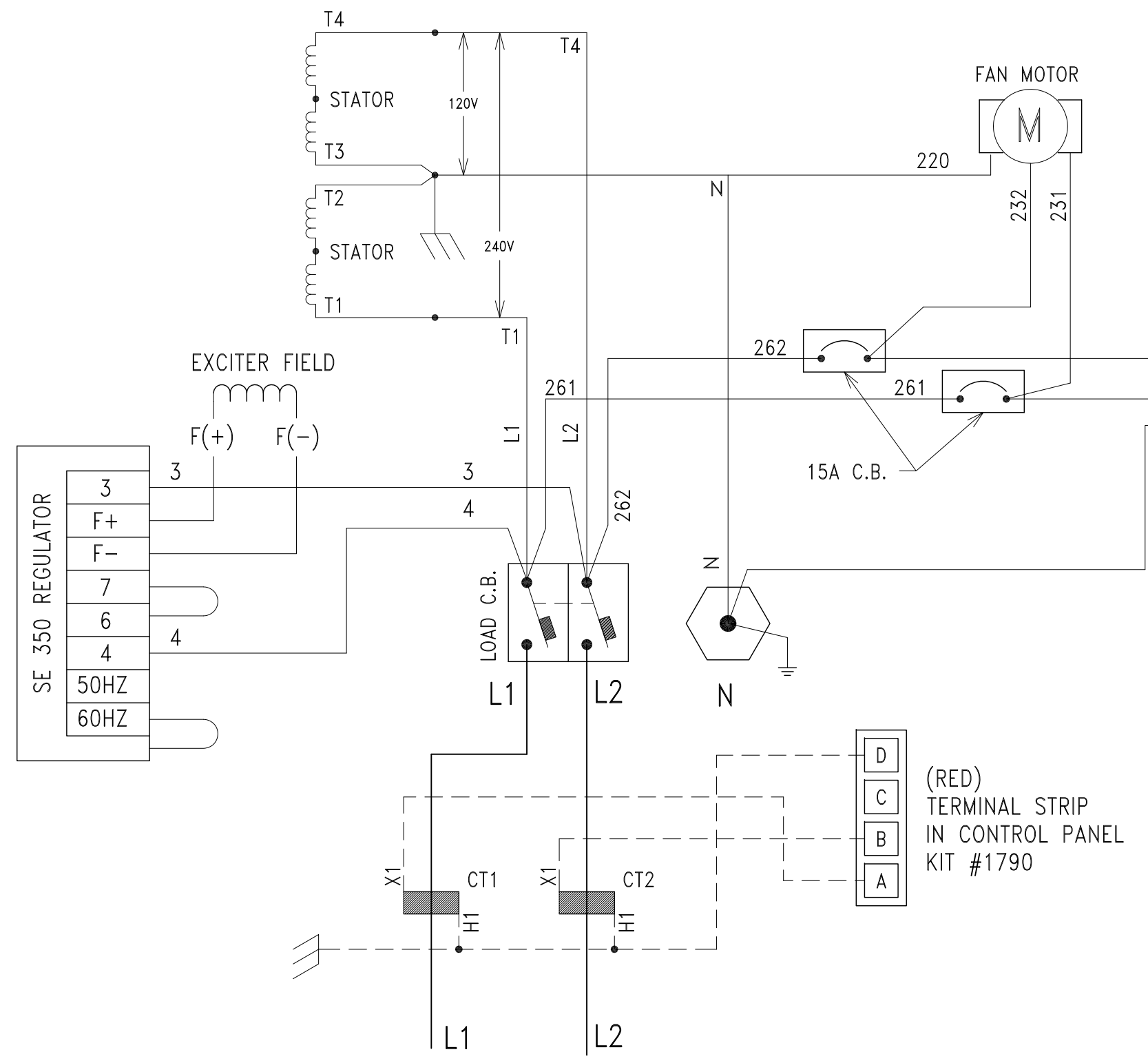
B

C

C

D

D



DISCONNECT PLUG

SOCKET SIDE PLUG SIDE

(ORANGE)
TERMINAL STRIP
IN CONTROL PANEL
KIT #1779/#1790

(RED)
TERMINAL STRIP
IN CONTROL PANEL
KIT #1790

----- DASHED LINES INDICATE
CUSTOMER SUPPLIED WIRING

NOTE:
SOME ITEMS SHOWN MAY BE
OPTIONAL EQUIPMENT.

TITLE: AC WIRING DIAGRAM, 120/240V, SE350 AVR		
THE FOLLOWING TOLERANCES APPLY UNLESS OTHERWISE SPECIFIED: ALL DIMENSIONS ARE INCH [mm]		
DECIMALS	ANGLES	
.X ± .060	± 1°	
.XX ± .030	FRACTIONS	
.XXX ± .010	± 1/32	
MACHINED SURFACES ARE 125 ✓		
DRILLED HOLES +.008 -.003		
PUNCHED HOLES ±.016		
DRAWN BY: B.K. HELM		SCALE: FULL
DATE: 6/07/2013		
GROUP NO.	ORDER NO. 1 OF 1	DRAWING NO. 13060A

1

2

3

4

5

6

1

2

3

4

5

6