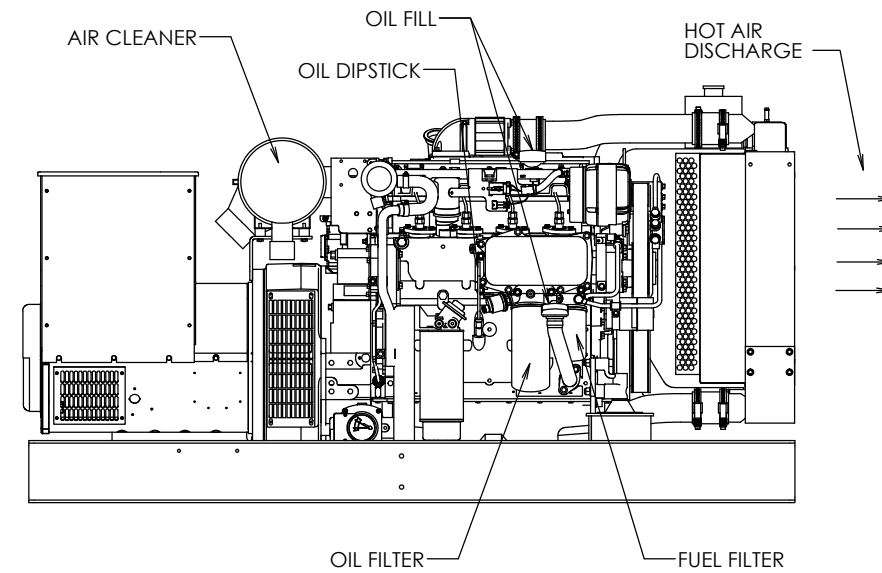
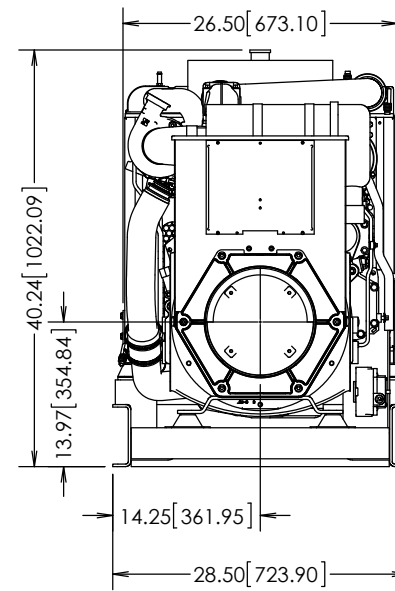
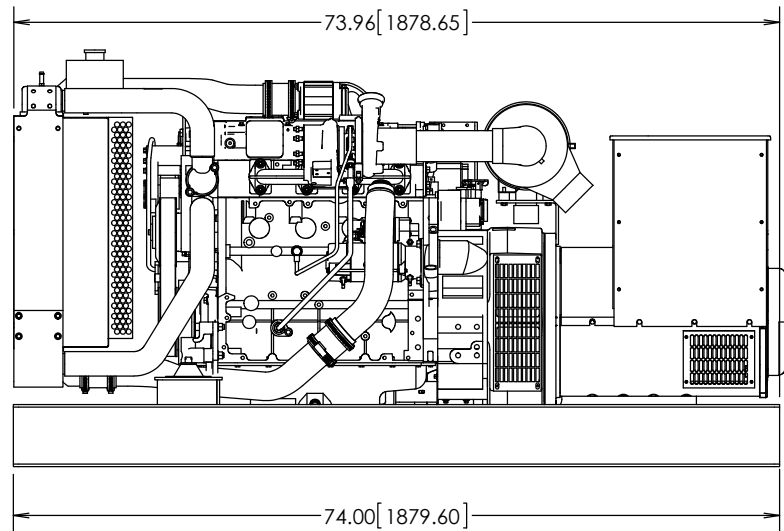
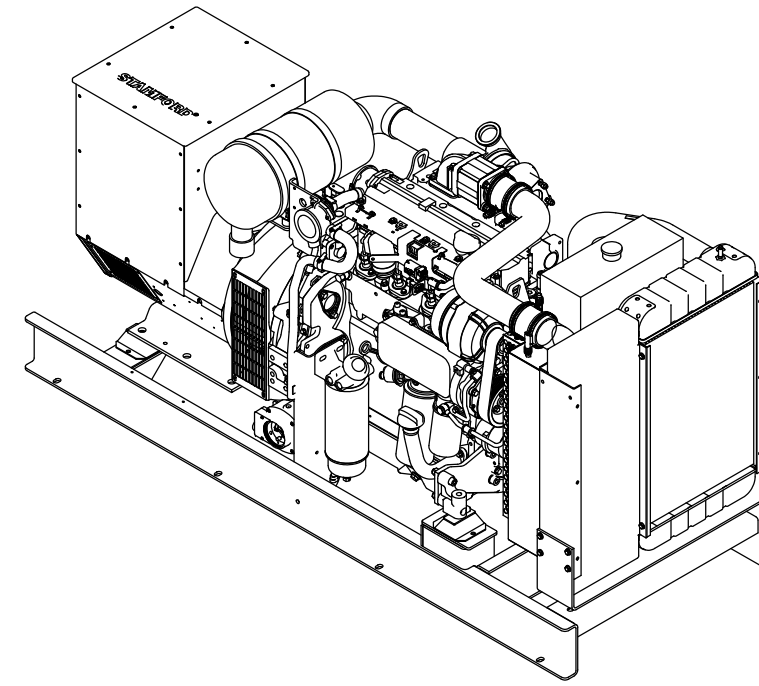
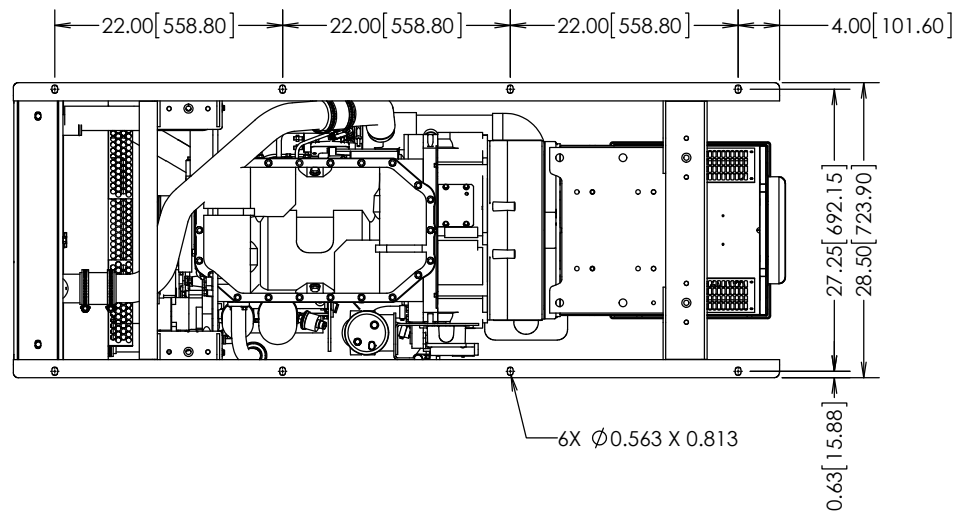


**STANDARD 1790  
CONTROL PANEL**



**SERVICE SIDE**



INFORMATION CONTAINED HEREIN  
DEEMED RELIABLE BUT NOT GAURANTEED

**PROPRIETARY AND CONFIDENTIAL**  
THE INFORMATION CONTAINED IN THIS  
DRAWING IS THE SOLE PROPERTY OF  
STADCO/STAUFFER DIESEL INC. ANY  
REPRODUCTION IN PART OR AS A WHOLE  
WITHOUT THE WRITTEN PERMISSION OF  
STADCO/STAUFFER DIESEL INC. IS  
PROHIBITED.

TITLE: CD65 GENSET LAYOUT

THE FOLLOWING TOLERANCES  
APPLY UNLESS OTHERWISE  
SPECIFIED:

DIMENSIONS ARE IN INCHES [MM]  
FRACTIONAL: ± 1/32  
ONE PLACE DECIMAL: ± .060  
TWO PLACE DECIMAL: ± .030  
THREE PLACE DECIMAL: ± .010  
DRILLED HOLES: +.008 - .003  
PUNCHED HOLES: ± .016  
MACHINED SURFACES ARE  $\sqrt{125}$

**STADCO  
STAUFFER DIESEL INC.**  
EPHRATA, PA., U.S.A. 17522

DRAWN BY: B.K. HELM	DATE: 5/14/2013	DWG. NO.: 13052
SCALE: 1:12	WEIGHT:	SHEET 1 OF 1