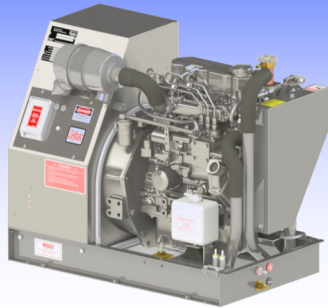




# Cellpac™ CP10A

**PURPOSE BUILT FOR: COMPARTMENT APPLICATIONS  
ON DIESEL MOTOR VEHICLES**



## **MODEL CP10A - 10.0kW**

### **FEATURES & BENEFITS**

### **SPECIFICATIONS**

#### **Independent AC Power Source**

**DUTY RATING:** Industrial, Continuous

**SIZE:** 32.4”L x 18.25”W x 26.8”H

Zero Clearance (Includes Operating Clearances)

**WEIGHT:** 540 Lbs.

#### **OUTPUT CURRENT:**

240/120VAC, 1 Phase, 60 Hz

120VAC, 1 Phase, 60 Hz (Optional)

#### **POWER RATING:**

10.0 kW Intermittent

9.0 kW Continuous

#### **ENGINE:**

3 Cylinder Diesel

Liquid Cooled, 1800RPM

#### **ENGINE SOUND LEVEL:**

80 dB(A) @ 1 Meter

65 dB(A) @ 7 Meters

#### **A.C. ALTERNATOR TYPE:**

4-Pole, Electronic Regulated, 1800 RPM,

60Hz, Insulation Class “F”

- *A factory engineered, proven, built and production tested power system by Stadco® a division of Stauffer Diesel Inc. When performance is mandatory specify a Cellpac.*
- *Each generator is designed to pass NFPA 2 Hour load test at continuous load*
- *Designed for closed door operation. Exhausts through the floor. Cool compartment interior*
- *Suitable for free standing or compartment duty applications. Modular design - easier installation.*
- *Robust High Density, Welded Aluminum Heat Exchanger*
- *Stands up to the heat. Wide operating temperature range: 0°F to 122°F. (50°C)*
- *Easy Access to all routine Service Points*
- *Convenient connections to vehicle battery and diesel fuel tank*
- *Powered with Mitsubishi Diesel 1800RPM Engine*
- *Small “Carbon Footprint” compared to parasitic systems. EPA Emissions Compliant with no exhaust after-treatment required.*
- *Safety Protection System continually monitors Engine Condition. Virtually eliminates catastrophic failures.*
- *Standard Digital Control System - Common Controller*
- *4 Pole brushless alternator for extended service life*
- *Muffler Exhaust Kit included - Shipped Loose.*
- *Supported by a 2-Year or 2000 Hr. Limited Warranty and Money Back Guarantee see Stadco® policy #D25.*

**Whether on duty for 15 minutes or 15,000 hours; it doesn't matter.  
Cellpac generators were bred for tough 24/7 duty in compartments.**



**©2013 STADCO® PRODUCTS DIVISION**

PO BOX 586 • 34 STAUFFER LANE • EPHRATA, PA 17522

PHONE: (717)738-2500 • FAX: (717)738-2550 •

EMAIL: gensales@staufferdiesel.com • Website: www.stadcogen.com

## **STANDARD DIGITAL CONTROL SYSTEM - #1779**



- Programmable Digital Control System (Remote mounted)
- Available with standard enclosure or optional flat panel
- Includes 10' Plug in cord w/weather-proof quick connectors.
- Metering for AC and DC electrical systems.
- Auto-crank and Preheat Capability are standard
- Automatic shutdowns and warnings.
- Auto-shutdown when power is fed from separate source.
- Refer to Bulletin #S160.13

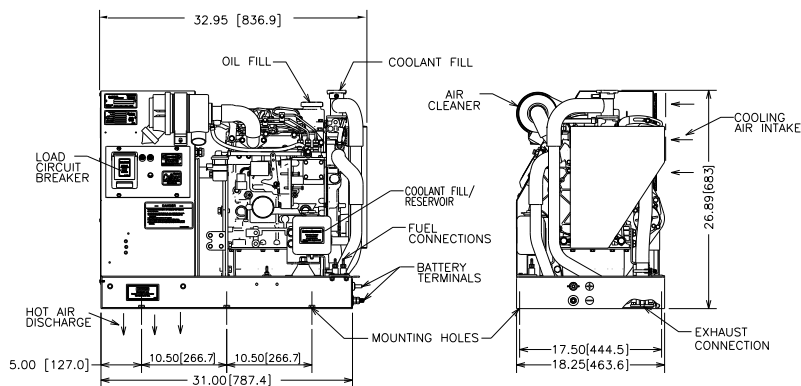
## **OPTIONAL ACCESSORIES**

- 120V, 1 Phase Output in lieu of Standard.
- Remote Start/Stop Panel - Kit #1780 (in cab).
- Flat Panel Control System - Kit #1791
- Digital Control System w/AC Metering - Kit #1790.
- 10 Ft. Extension Cord for Control Panel - Kit #1801.
- 20 Ft. Extension Cord for Control Panel - Kit #1802.
- 120V, 400 Watt Block Heater
- Coolant Drain Hose - Kit #1429.

## **STADCO SUPPORT SERVICES**

- Toll free Stadco Tech service hotline: 1-800-377-2120
- Maintenance and service support information posted on Stadco website.
- Routine service provided by selling dealer or Stadco.
- Stadco services: shop and on-site road service. Plus comprehensive rebuilding services.

## **GENERAL DIMENSIONS**



**TYPICAL INSTALLATION**

**Cellpac™ Generators available in sizes ranging from 6.0kW to 25.0kW**

**For Complete Specifications See Bulletin #S84.13**



**©2013 STADCO® PRODUCTS DIVISION**

PO BOX 586 • 34 STAUFFER LANE • EPHRATA, PA 17522

PHONE: (717)738-2500 • FAX: (717)738-2550 •

EMAIL: gensales@staufferdiesel.com • Website: www.stadcogen.com