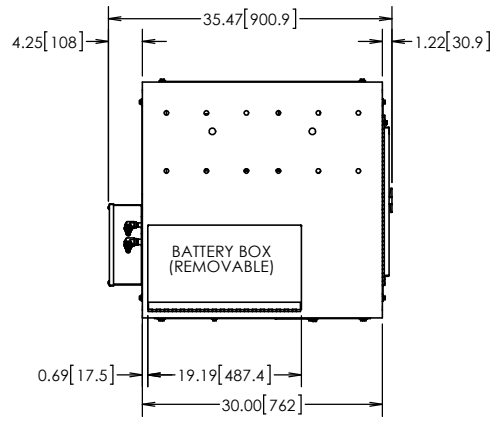
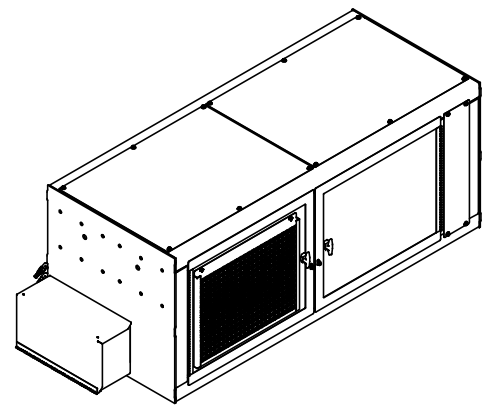
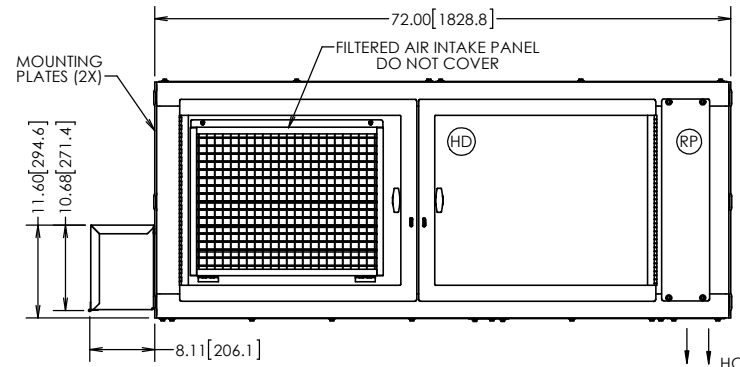


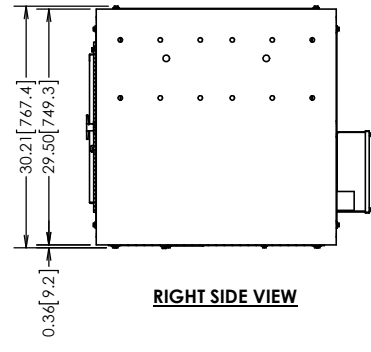
TOP VIEW



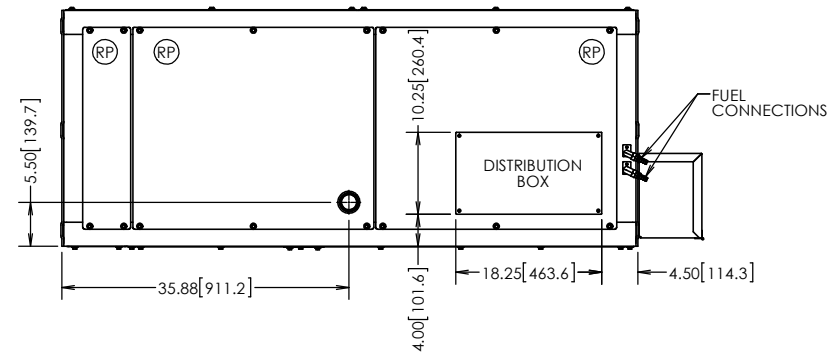
LEFT SIDE VIEW



FRONT VIEW



RIGHT SIDE VIEW



REAR VIEW

INFORMATION CONTAINED HEREIN  
DEEMED RELIABLE BUT NOT GUARANTEED.

TITLE: HR40T4 RAILGEN SALES DRAWING		
<small>THE FOLLOWING TOLERANCES APPLY UNLESS OTHERWISE SPECIFIED:</small> <small>DIMENSIONS ARE IN INCHES (MM)</small> <small>FRACTIONAL ± 1/32</small> <small>ONE PLACE DECIMAL ± .060</small> <small>TWO PLACE DECIMAL ± .030</small> <small>THREE PLACE DECIMAL ± .010</small> <small>DRILED HOLES ± .008 - .003</small> <small>PUNCHED HOLES ± .016</small> <small>MACHINED SURFACES ARE <math>\sqrt{\text{V}}</math></small>		
<b>STADCO</b> <b>STAUFFER DIESEL INC.</b> <b>EPHRATA, PA., U.S.A. 17522</b>		
DRAWN BY:	DATE:	DWG. NO.:
B.K. HELM	5/01/2012	12986
SCALE: 1:12	WEIGHT:	SHEET 1 OF 1

**PROPRIETARY AND CONFIDENTIAL**

THE INFORMATION CONTAINED IN THIS DRAWING IS THE SOLE PROPERTY OF STADCO/STAUFFER DIESEL INC. ANY REPRODUCTION IN PART OR AS A WHOLE WITHOUT THE WRITTEN PERMISSION OF STADCO/STAUFFER DIESEL INC. IS PROHIBITED.