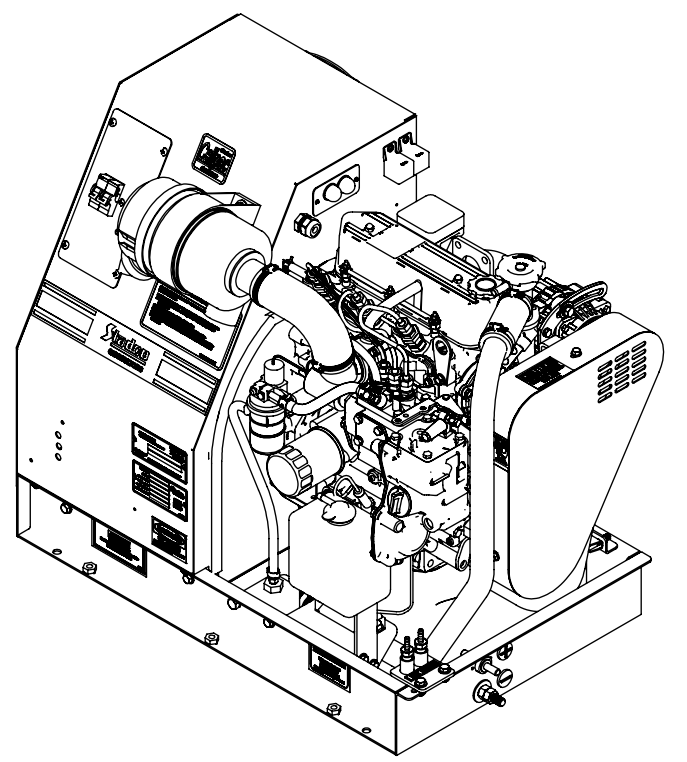
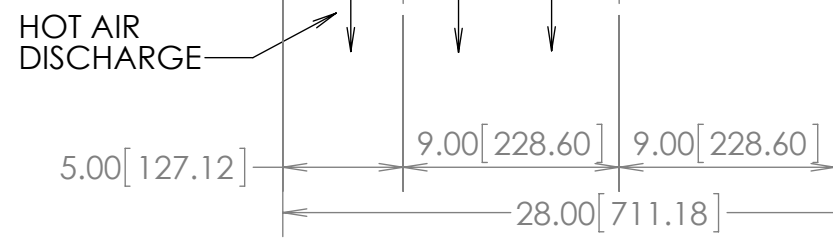
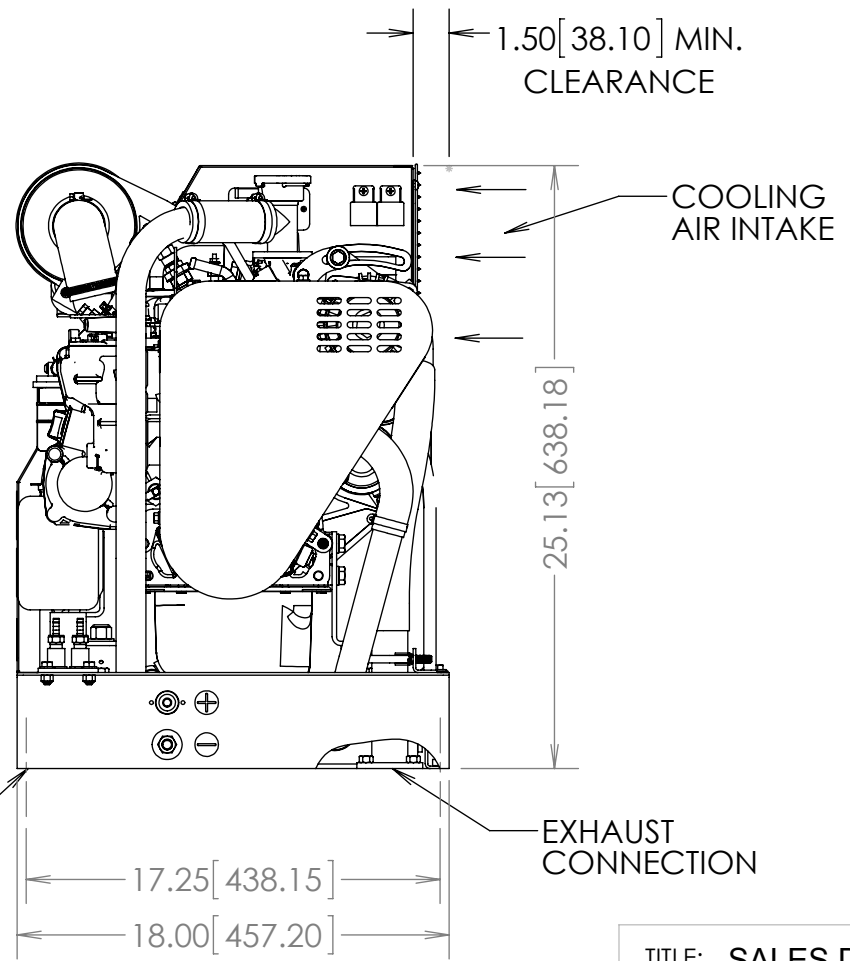
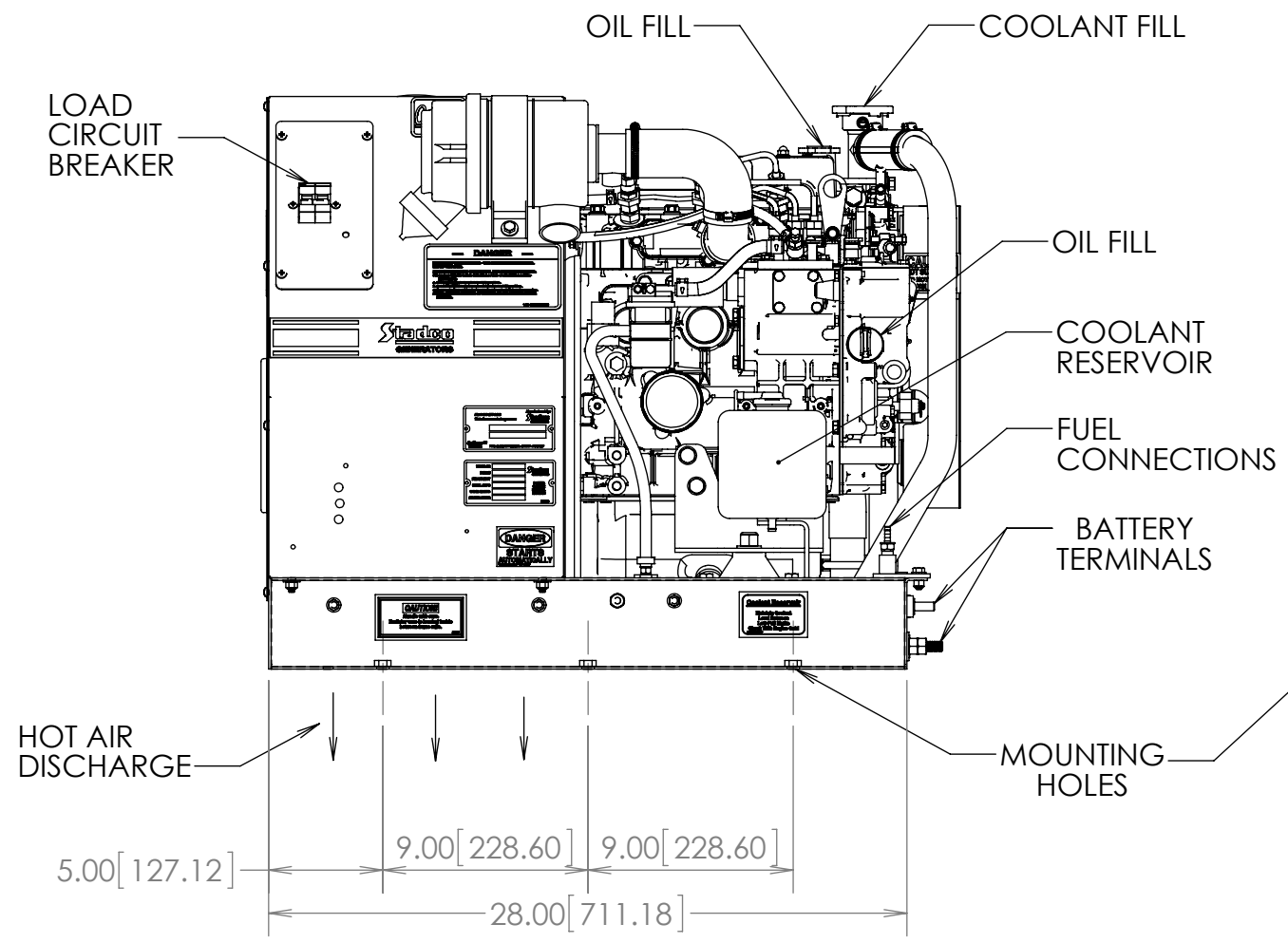


STANDARD 1779 CONTROL PANEL



D  
C  
B  
A

D  
C  
B  
A



TITLE: SALES DRAWING CELLPAC MODEL CP7.0

THE FOLLOWING TOLERANCES APPLY UNLESS OTHERWISE SPECIFIED:  
 DIMENSIONS ARE IN INCHES [MM]  
 FRACTIONAL ± 1/32  
 ANGULAR: MACH ± 1° BEND ± 1°  
 ONE PLACE DECIMAL ± .060  
 TWO PLACE DECIMAL ± .030  
 THREE PLACE DECIMAL ± .010  
 DRILLED HOLES +.008 -.003  
 PUNCHED HOLES ± .016  
 MACHINED SURFACES ARE

**STADCO  
STAUFFER DIESEL INC.  
EPHRATA, PA., U.S.A. 17522**

DRAWN BY: TJS	DATE: 10/25/06	DWG. NO.: 12645
SCALE: 1:8	WEIGHT:	SHEET 1 OF 1

INFORMATION CONTAINED HEREIN DEEMED RELIABLE BUT NOT GUARANTEED.

**PROPRIETARY AND CONFIDENTIAL**  
 THE INFORMATION CONTAINED IN THIS DRAWING IS THE SOLE PROPERTY OF STADCO/STAUFFER DIESEL INC. ANY REPRODUCTION IN PART OR AS A WHOLE WITHOUT THE WRITTEN PERMISSION OF STADCO/STAUFFER DIESEL INC. IS PROHIBITED.