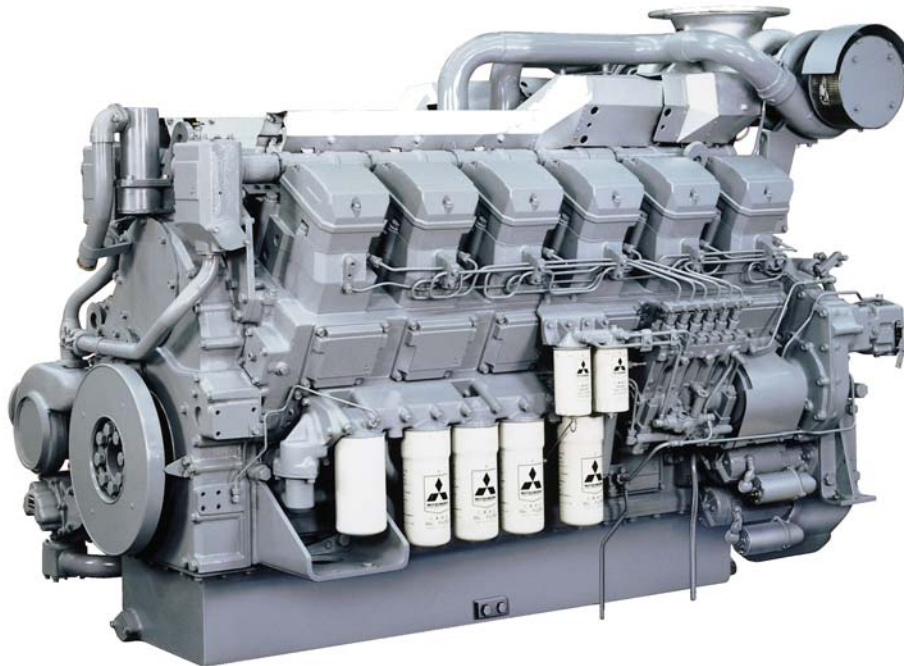


**MITSUBISHI ENGINE  
NORTH AMERICA**

Sept. 2010

*Engine Serial Number Locations by  
Engine Model*

*Small Bore & Large Bore Diesel*

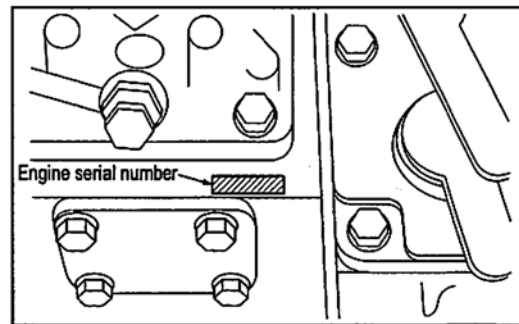




# L3E & L2E

### 3. Engine serial number

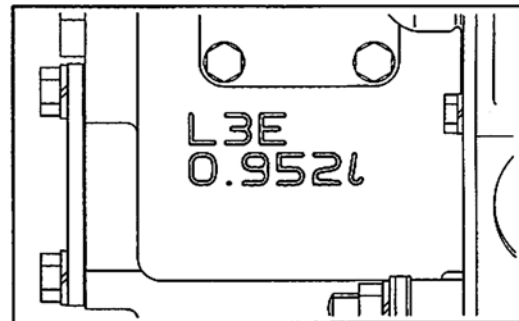
The engine serial number is stamped on the injection pump mount (upper side of tie rod cover) of the cylinder block.



Stamping position of engine serial number

### 4. Indication of engine model and total displacement

The engine type and displacement are stamped on the side of the injection pump mount of the cylinder block.



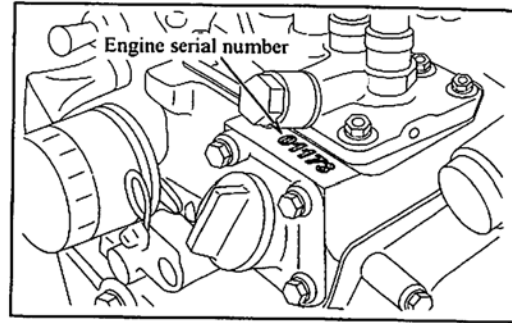
Engine model and cylinder capacity



# SL Series

## 1.6 Engine Serial Number

The engine serial number is stamped on the top face of the fuel injection pump bracket on the right-hand side of the cylinder block.



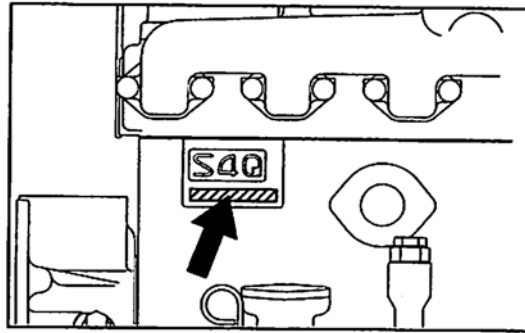
Engine serial number location



# S4Q2

## Engine Serial Number

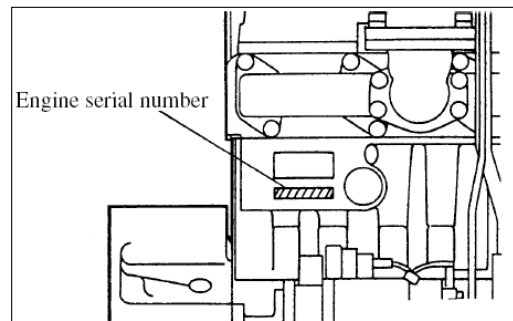
The engine serial number is stamped on the side of the crankcase



# S4S & S6S

## 1.2 Engine Serial Number Location

The engine serial number is located on the side of the crankcase.





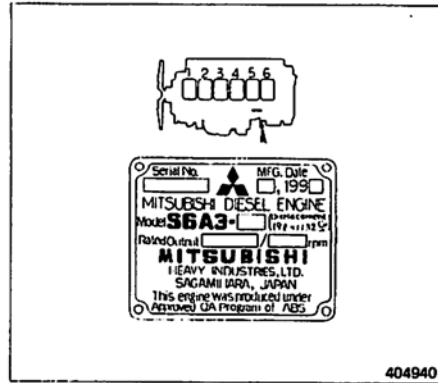
# S6A3

## 1.2 Engine serial number location

The engine serial number is stamped on the nameplate attached to the left rear side of the engine.

Example: Model Serial number  
S6A3 30125

On the nameplate are also stamped the output and rated speed. The numbers in the illustrations show cylinder numbers.



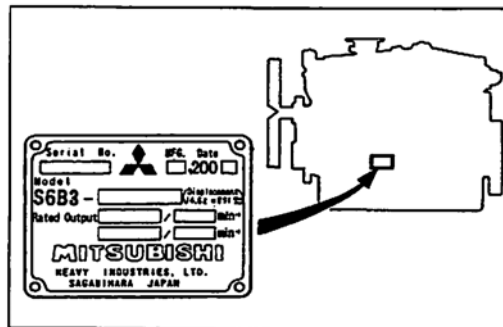
# S6B3

## 1.2 Engine Serial Number Location

The engine serial number is stamped on the nameplate attached to the left center side of the engine.

< Example >

Model Engine serial No.  
S6B3 30125





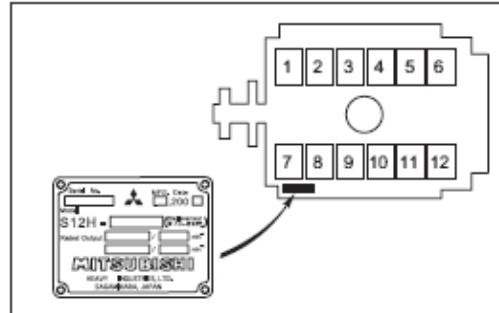
# S12H

### 3. Engine serial number location

The engine serial number is stamped on the nameplate of the lateral side of the engine.

The rated engine output and speed are also stamped on the nameplate.

The numbers shown in the illustration mean the cylinder numbers.



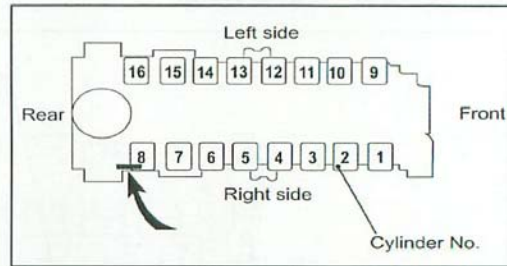
Nameplate location



# S16R

### 1.7 Engine serial number location

The engine serial number is stamped on the nameplate of the left front side of the engine.  
The rated output and speed are also stamped on the nameplate.



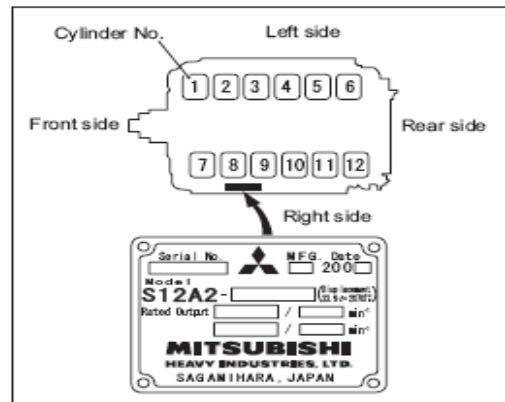
Location of nameplate



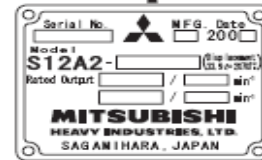
# S12A2

### 3. Engine serial number location

The engine serial number is stamped on the nameplate of the lateral side of the engine.  
The rated engine output and speed are also stamped on the nameplate.  
The numbers shown in the illustration mean the cylinder numbers.



Nameplate location



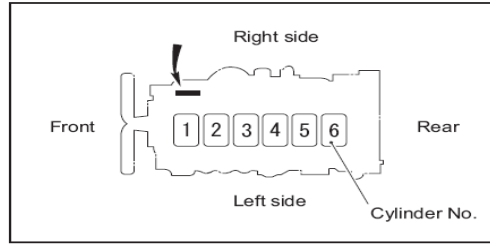


# S6R

### 3. Engine serial number location

The engine serial number is stamped on the nameplate of the left front side of the engine.

The rated output and speed are also stamped on the nameplate.



Nameplate location

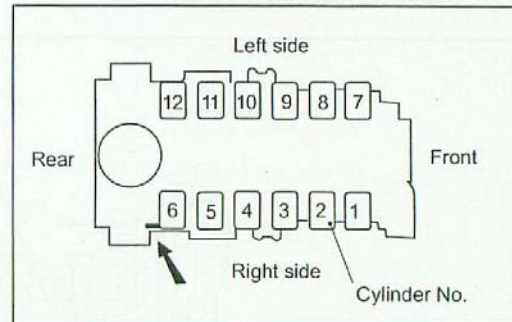


# S12R

### 1.7 Engine serial number location

The engine serial number is stamped on the nameplate of the left front side of the engine.

The rated output and speed are also stamped on the nameplate.



Location of nameplate





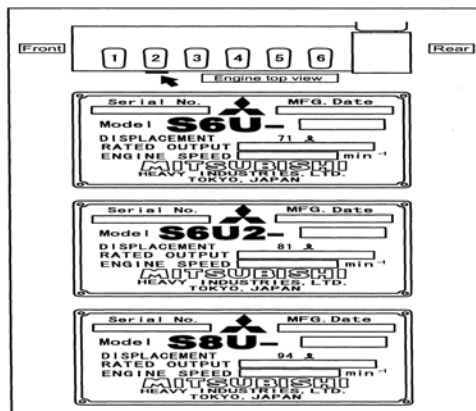
# S6U

## 1.7 Engine Serial Number

The engine serial number is stamped on the nameplate attached on the left side of the engine.

Model	Engine serial number
S6U	10012
S6U2	20100
S8U	10030

The nameplate is stamped with the engine serial number, rated output, and rated speed.  
Numbers in the illustration indicate cylinder numbers.



# S12U & S16U

## 1.7 Engine Serial Number

The engine serial number is stamped on the nameplate attached on the left side of the engine.

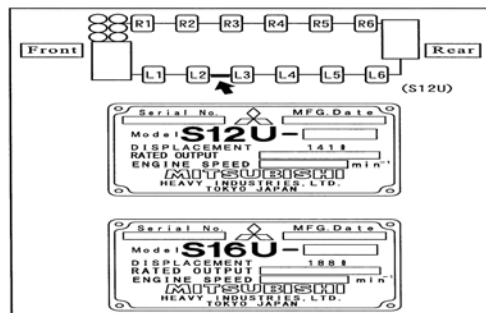
Model	Engine serial number
S12U	10012
S16U	20100

Note: The engine serial number is stamped.

This sequential number starting from 10001 indicates the order of shipping from us.

The nameplate is stamped with the engine serial number, rated output, and rated speed.

Numbers in the illustration indicate cylinder numbers.

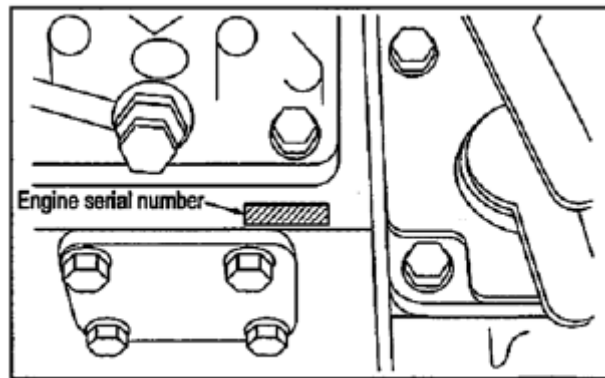


Nameplate location



# Manufacturing Date

## L Series



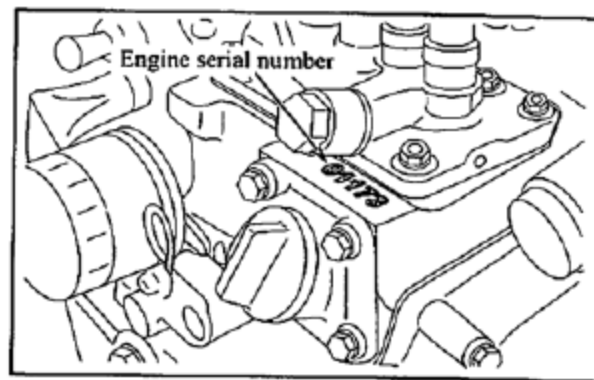
Stamping position of engine serial number

The manufacturing date code is stamped on the injection pump mount (upper side of tie rod cover) of the cylinder block. Next to the engine serial number.

\*See below for manufacturing date code reference chart.



## SL Series



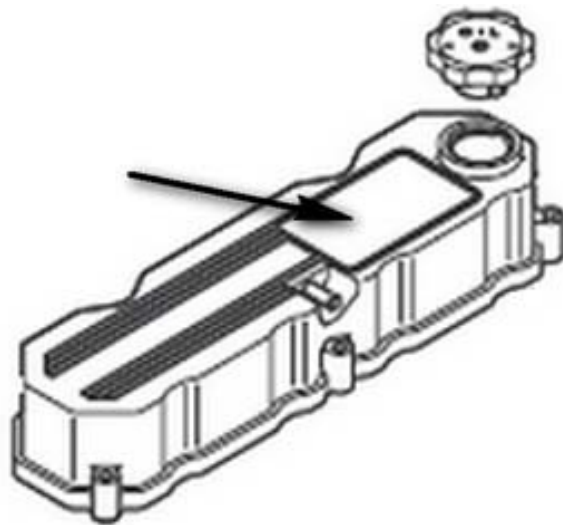
Engine serial number location

The manufacturing date code is stamped on the top of the face of the fuel injection pump bracket on the right hand side of the engine block. Next to the engine serial number.

\*See below for date of manufacturing date code reference chart.



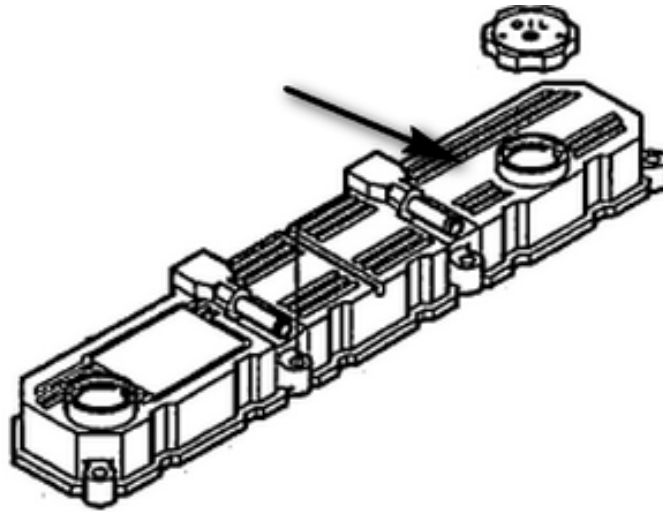
## SQ Series



The manufacturing date label is located on the rocker cover, next to the oil filler cap.



## SS Series



The manufacturing date label is located on the rocker cover, next to the oil filler cap.

# Manufacturing Date Codes

## (1) STAMPING METHOD OF ENGINE NUMBER

### (1.1) LETTERS TO BE STAMPED

TYPE OF LETTERS: TDSDT-8265

(HEIGHT: 4mm, WIDTH: 4mm, INTERVAL: 2mm)

EXAMPLE: 1001

### (1.2) METHOD OF STAMPING

SERIAL NUMBER STARTING FROM 1001

THROUGH 9999. WHEN ENGINE NUMBER

REACHES 9999, NUMBERS 10000 AND OVER

MUST BE STAMPED EXTENDING

TO LEFT.

### (1.3) METHOD OF REVISION

IF WRONG NUMBER BE STAMPED, STAMP X

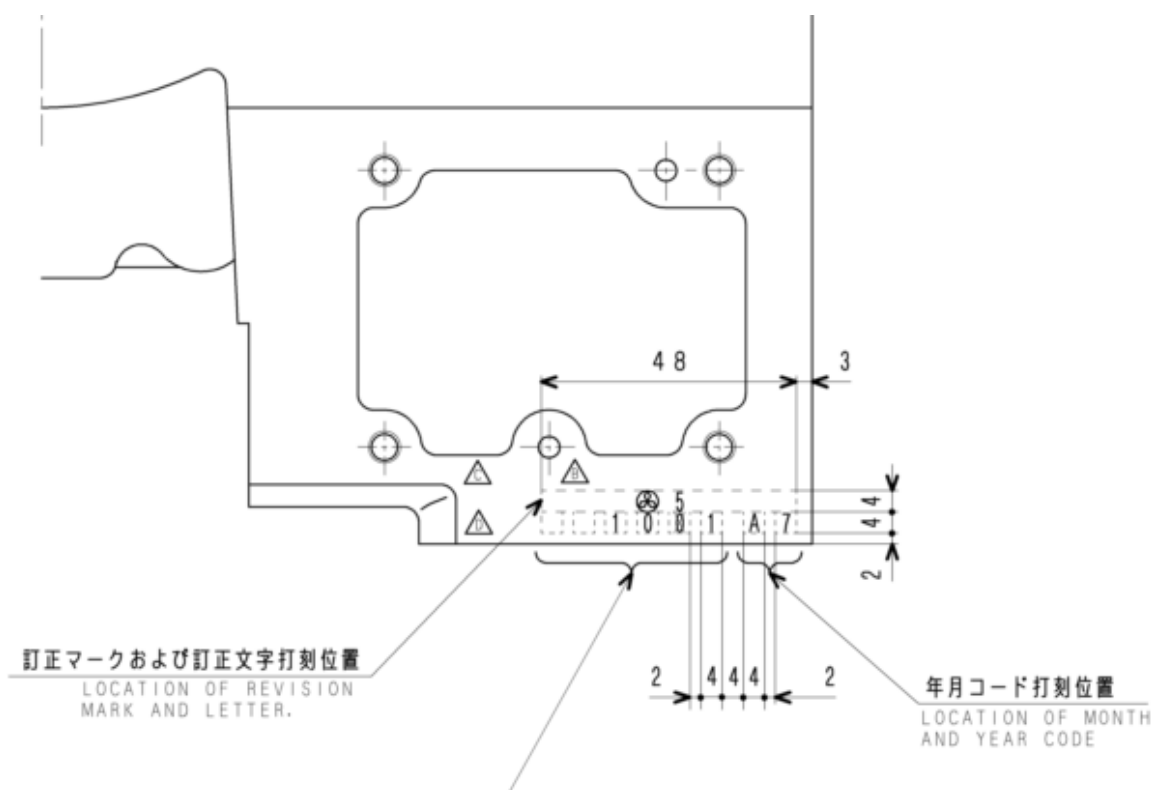
ON THE WRONG NUMBER OR LETTER. STAMP

CORRECT ONE AND ⊕ MARK JUST ABOVE IT

AS EXAMPLE BELOW.

⊕5

EXAMPLE: 1001



(2) STAMPING METHOD OF BUILD MONTH AND YEAR CODES.  
STAMP MONTH AND YEAR CODE ON SPECIFIED LOCATION AS EXAMPLE BELOW.

EXAMPLE: A7

MONTH CODE

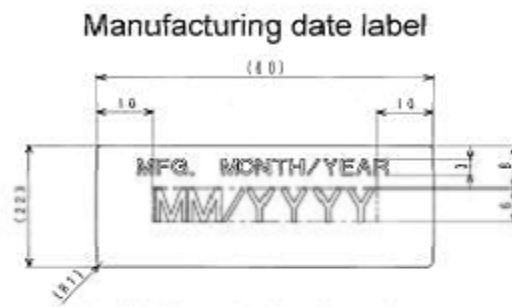
BUILD MONTH	MONTH CODE
JANUARY	A
FEBRUARY	B
MARCH	C
APRIL	D
MAY	E
JUNE	F
JULY	G
AUGUST	H
SEPTEMBER	J
OCTOBER	K
NOVEMBER	L
DECEMBER	M

YEAR CODE

BUILD YEAR	YEAR CODE
2007	7
2008	8
2009	9
2010	0
2011	1
2012	2



All Engines Produced after April 2011 will have the below label.  
This label will be applied to the rocker cover.



The label is applied on the rocker cover  
Example: April 2011 production

