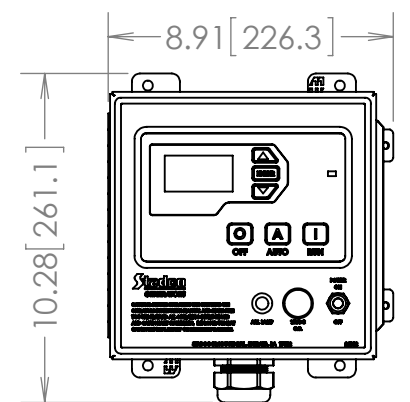
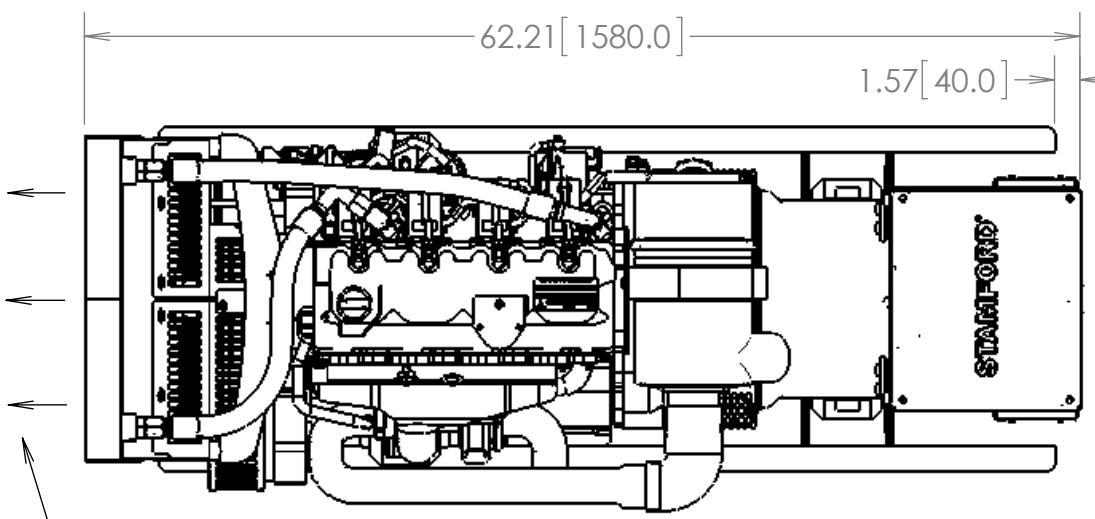
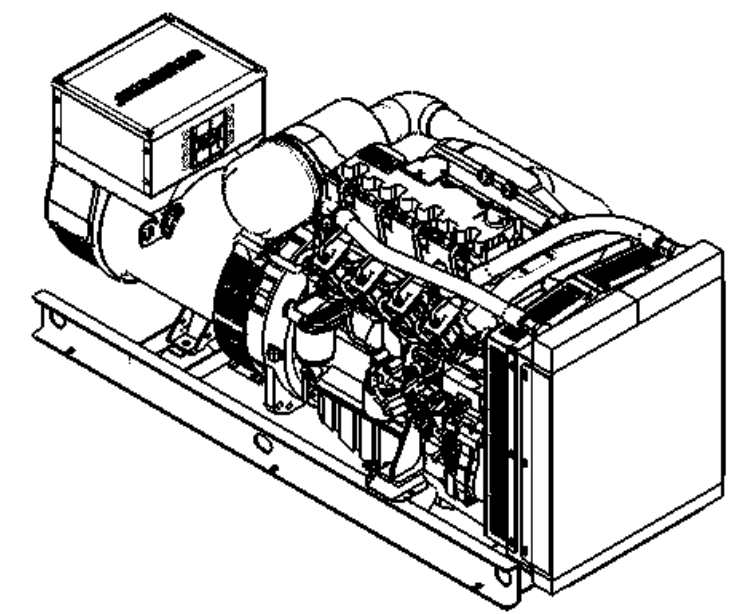


REVISIONS				
REV.	DESCRIPTION	DATE	INT.	ECN
A	NEW CONTROL PANEL 1779	6/20/2013	TJS	3335



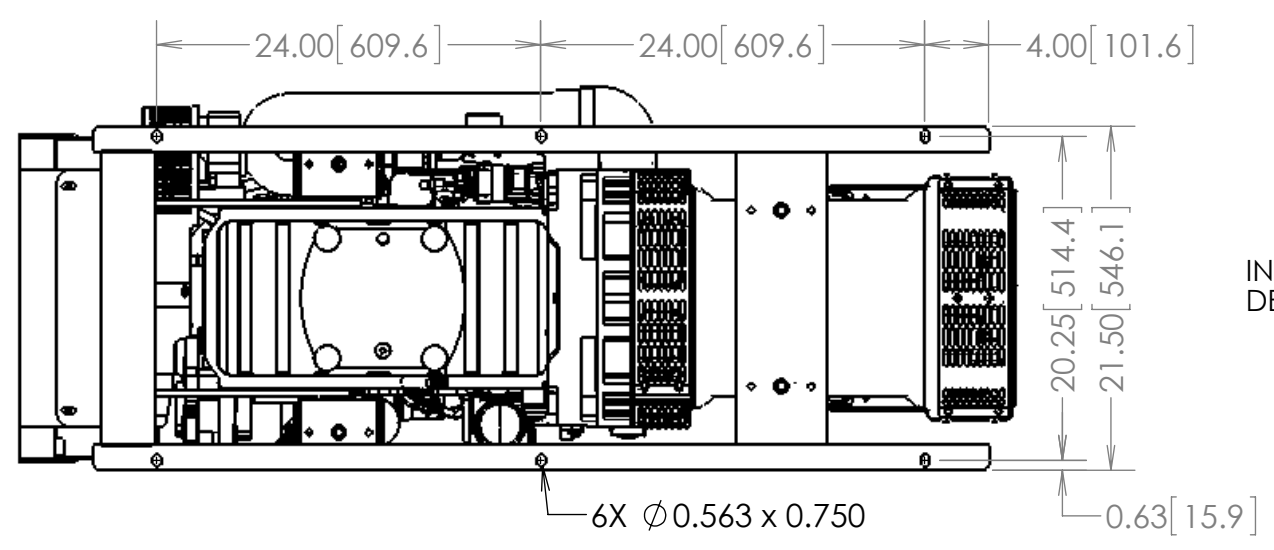
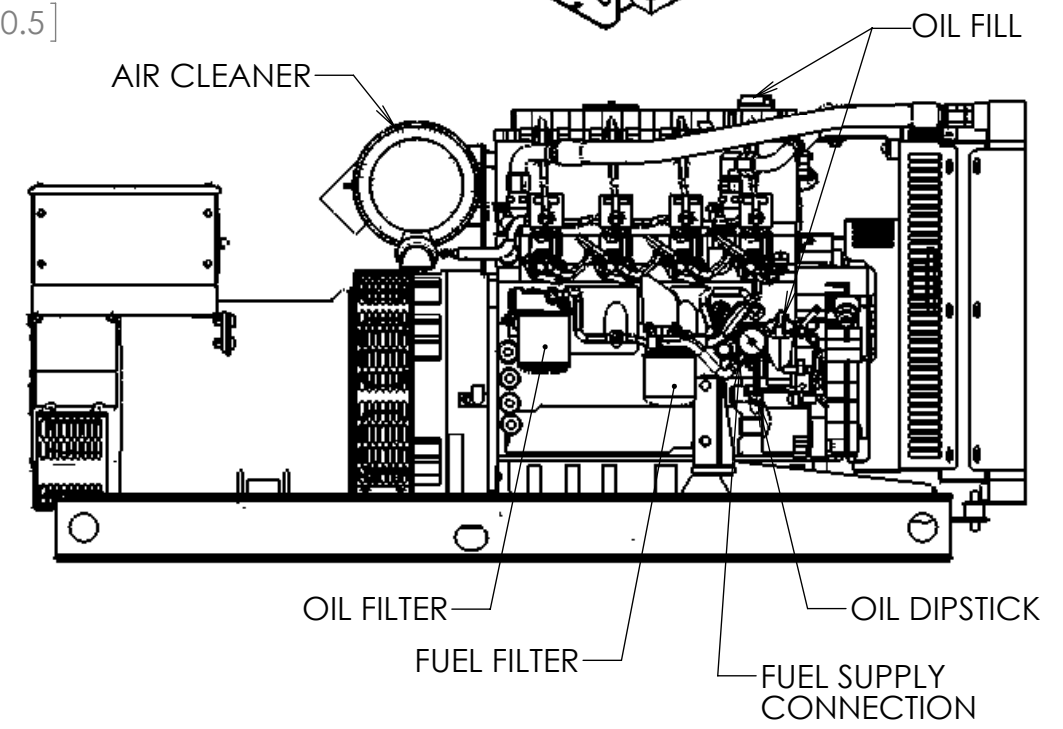
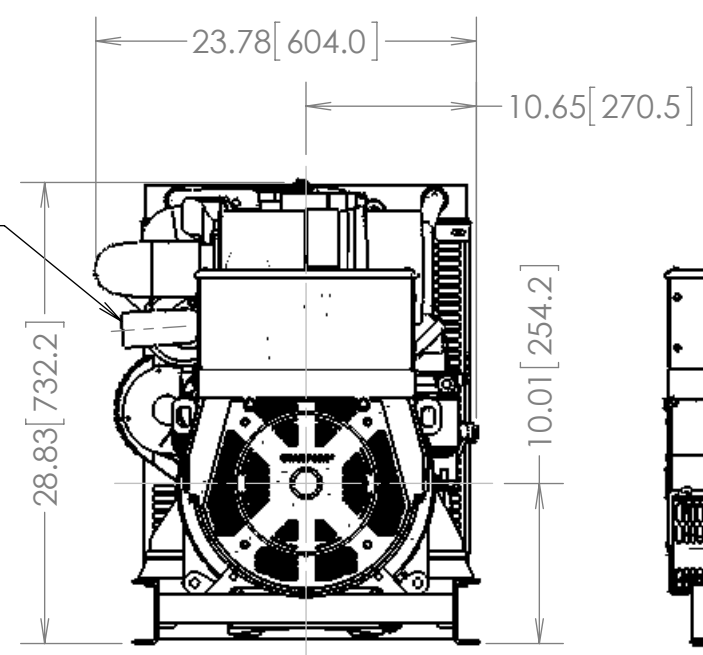
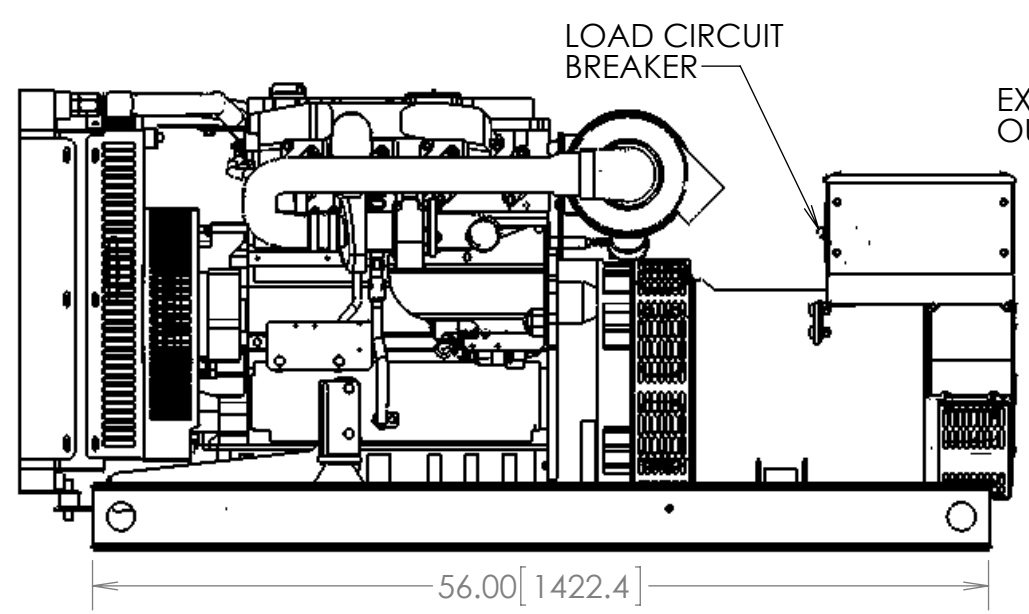
**STANDARD 1779
CONTROL PANEL**



D
C
B
A

D
C
B
A

HOT AIR
DISCHARGE



6X ϕ 0.563 x 0.750

SERVICE SIDE

INFORMATION CONTAINED HEREIN
DEEMED RELIABLE BUT NOT GUARANTEED.

PROPRIETARY AND CONFIDENTIAL
THE INFORMATION CONTAINED IN THIS
DRAWING IS THE SOLE PROPERTY OF
STADCO/STAUFFER DIESEL INC. ANY
REPRODUCTION IN PART OR AS A WHOLE
WITHOUT THE WRITTEN PERMISSION OF
STADCO/STAUFFER DIESEL INC. IS
PROHIBITED.

TITLE: CD40T4 GENSET LAYOUT

THE FOLLOWING TOLERANCES
APPLY UNLESS OTHERWISE
SPECIFIED:

DIMENSIONS ARE IN INCHES [MM]
FRACTIONAL \pm 1/32
ANGULAR: MACH \pm 1° BEND \pm 1°
ONE PLACE DECIMAL \pm .060
TWO PLACE DECIMAL \pm .030
THREE PLACE DECIMAL \pm .010
DRILLED HOLES +.008 -.003
PUNCHED HOLES \pm .016
MACHINED SURFACES ARE

**STADCO
STAUFFER DIESEL INC.**
EPHRATA, PA., U.S.A. 17522

DRAWN BY: TJS	DATE: 7/13/2012	DWG. NO.: 13012
SCALE: 1:12	WEIGHT:	SHEET 1 OF 1

8 7 6 5 4 3 2 1