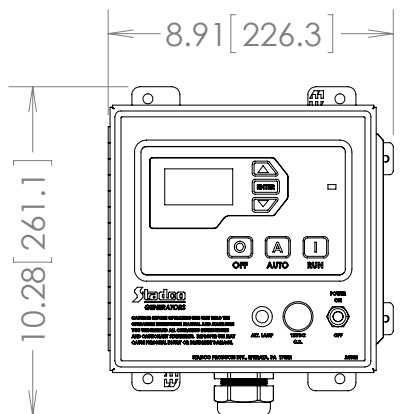
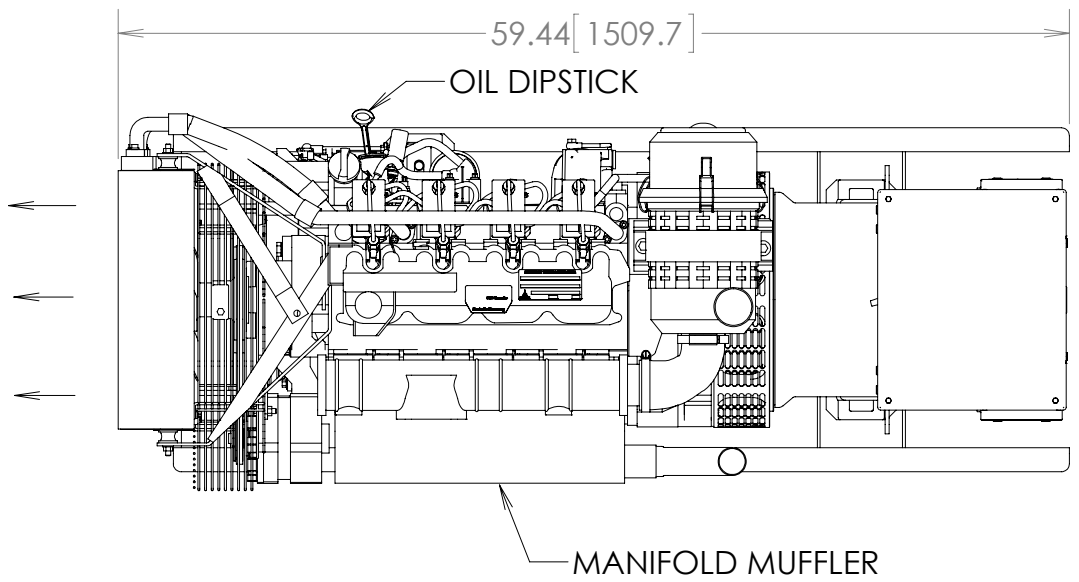
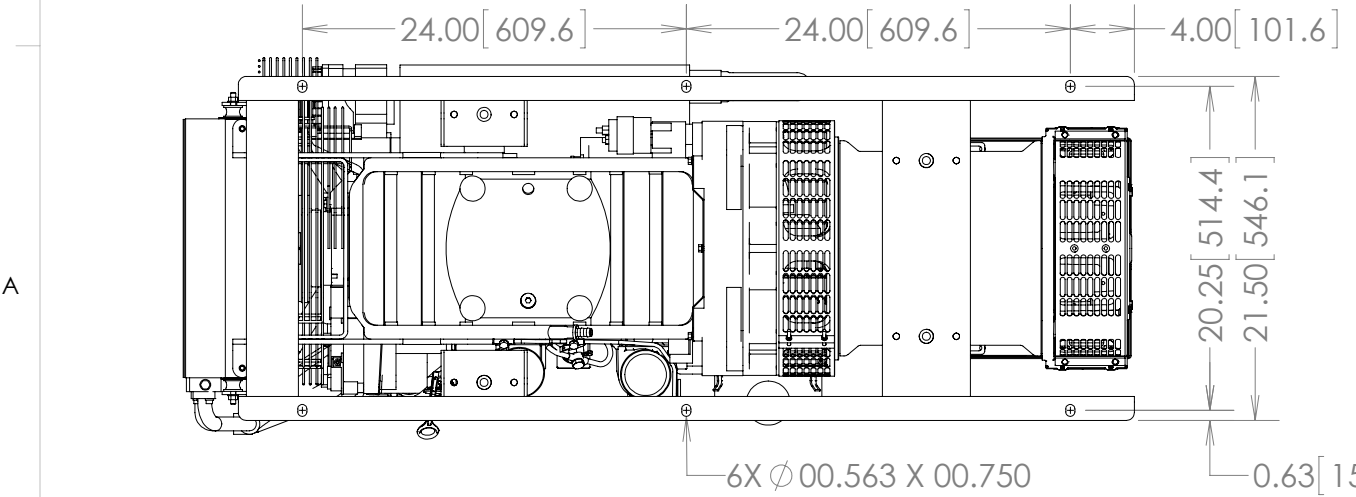
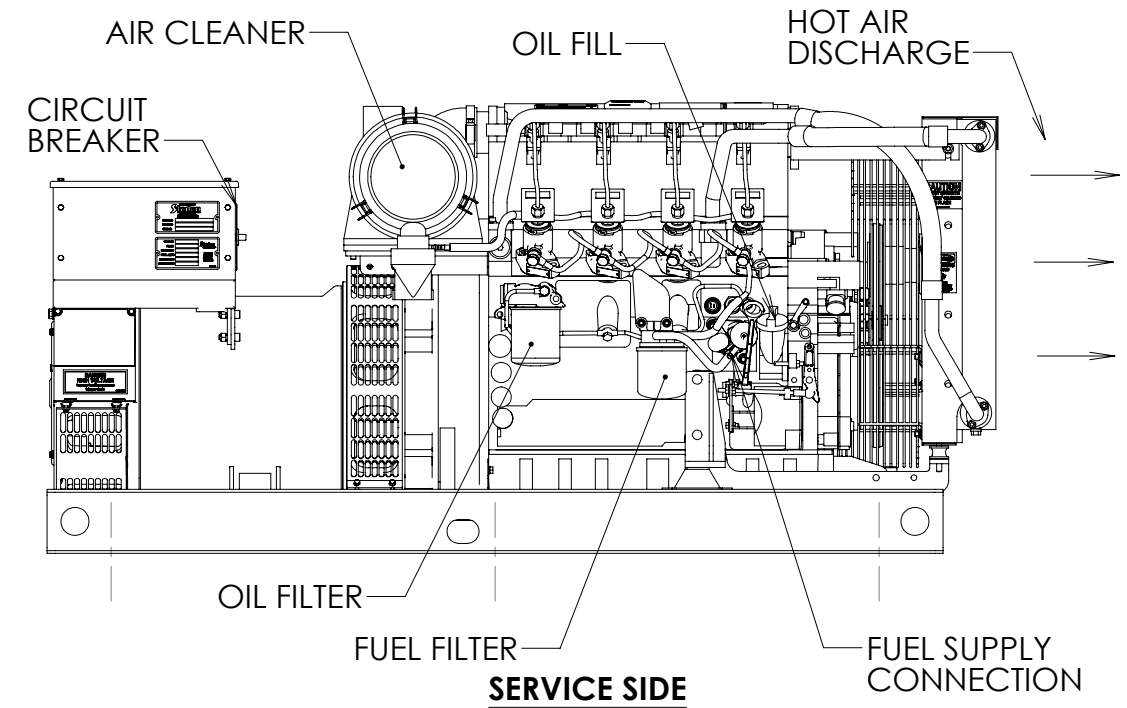
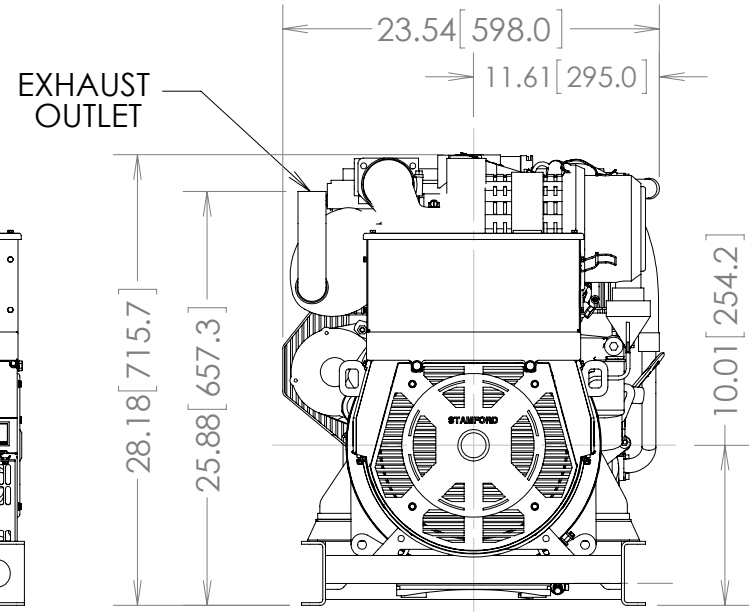
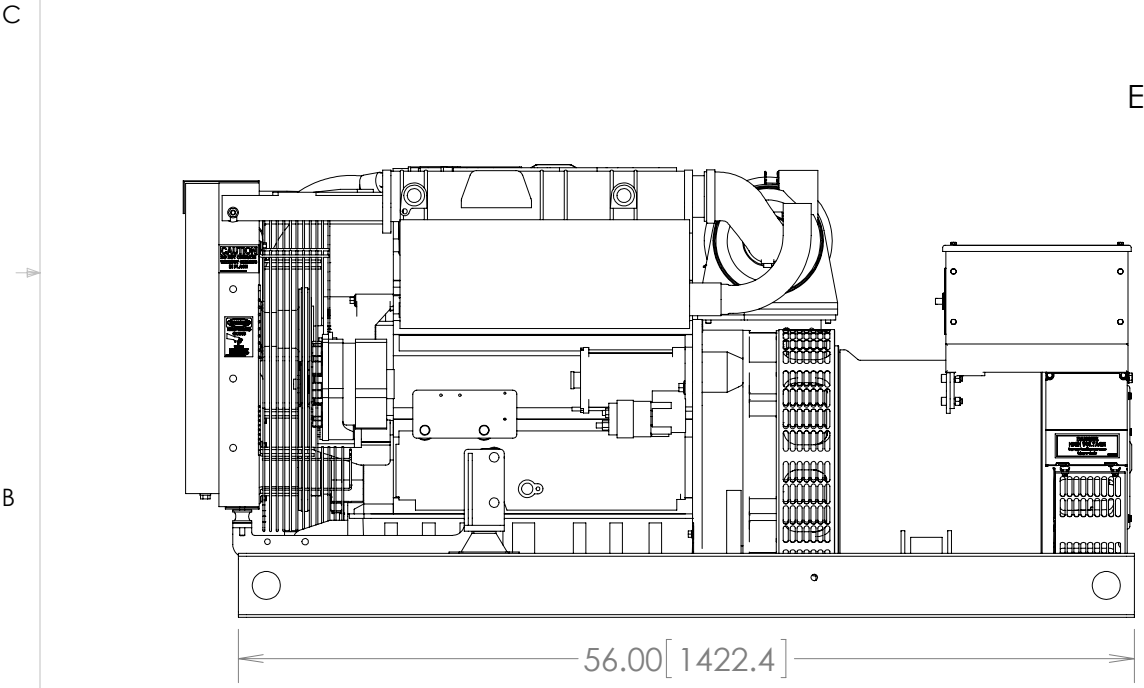
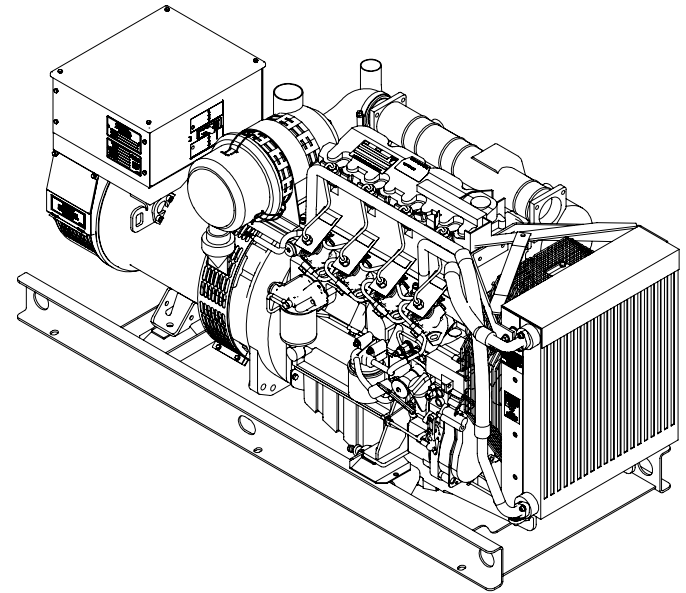


8 7 6 5 4 3 2 1

REVISIONS				
REV.	DESCRIPTION	DATE	INIT	ECN
A	ADD MANIFOLD MUFFLER	12/06/2012	BKH	3293
B	NEW CONTROL PANEL 1779	6/20/2013	TJS	3335



STANDARD 1779 CONTROL PANEL



INFORMATION CONTAINED HEREIN DEEMED RELIABLE BUT NOT GUARANTEED.

PROPRIETARY AND CONFIDENTIAL
 THE INFORMATION CONTAINED IN THIS DRAWING IS THE SOLE PROPERTY OF STADCO/STAUFFER DIESEL INC. ANY REPRODUCTION IN PART OR AS A WHOLE WITHOUT THE WRITTEN PERMISSION OF STADCO/STAUFFER DIESEL INC. IS PROHIBITED.

TITLE: CD30 GENSET LAYOUT

THE FOLLOWING TOLERANCES APPLY UNLESS OTHERWISE SPECIFIED:
 DIMENSIONS ARE IN INCHES [MM]
 FRACTIONAL ± 1/32
 ANGULAR: MACH ± 1° BEND ± 1°
 ONE PLACE DECIMAL ± .060
 TWO PLACE DECIMAL ± .030
 THREE PLACE DECIMAL ± .010
 DRILLED HOLES +.008 -.003
 PUNCHED HOLES ± .016
 MACHINED SURFACES ARE

STADCO STAUFFER DIESEL INC.
 EPHRATA, PA., U.S.A. 17522

DRAWN BY: TJS	DATE: 1/24/2011	DWG. NO.: 12917
SCALE: 1:12	WEIGHT:	SHEET 1 OF 1

8 7 6 5 4 3 2 1