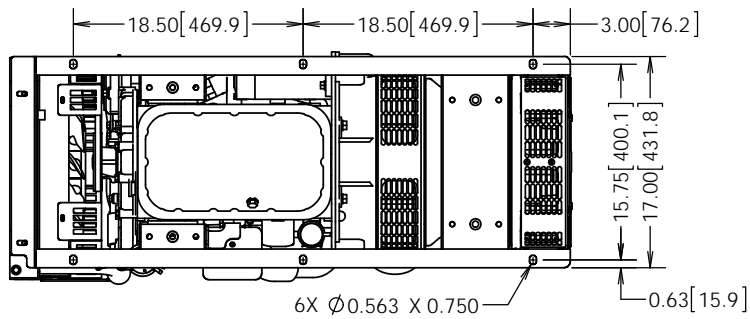
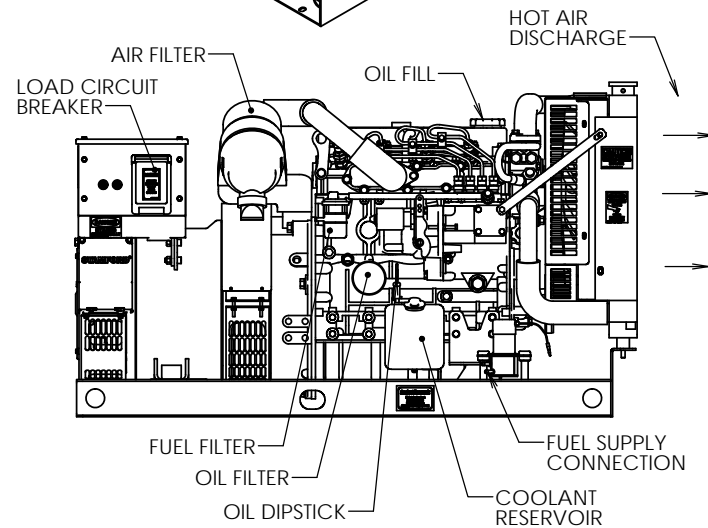
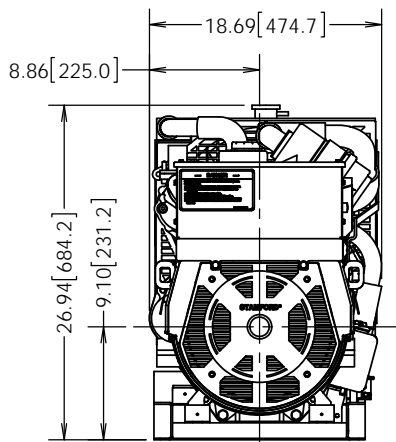
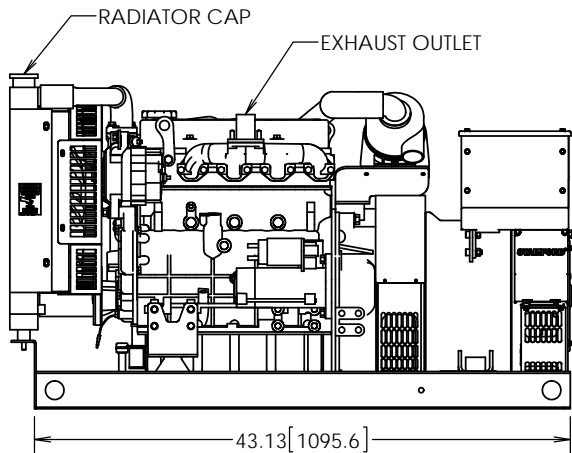
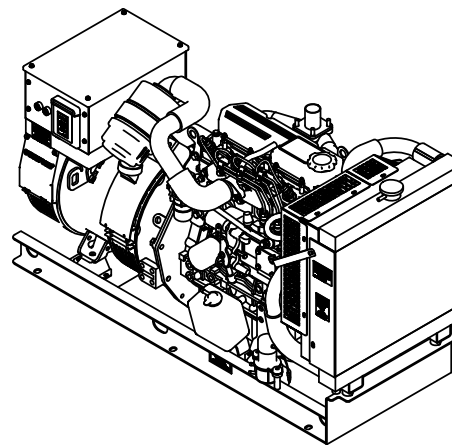


STANDARD 1779
CONTROL PANEL



INFORMATION CONTAINED HEREIN
DEEMED RELIABLE BUT NOT GUARANTEED

PROPRIETARY AND CONFIDENTIAL
THE INFORMATION CONTAINED IN THIS
DRAWING IS THE SOLE PROPERTY OF
STADCO/STAUFFER DIESEL INC.. ANY
REPRODUCTION IN PART OR AS A WHOLE
WITHOUT THE WRITTEN PERMISSION OF
STADCO/STAUFFER DIESEL INC. IS
PROHIBITED.

TITLE: CD15 GENSET		
THE FOLLOWING TOLERANCES APPLY UNLESS OTHERWISE SPECIFIED: DIMENSIONS ARE IN INCHES (MM) FRACTIONAL: 1/32 ANGULAR: MACH ± 1° BEND ± 1° ONE PLACE DECIMAL ± .060 TWO PLACE DECIMAL ± .030 THREE PLACE DECIMAL ± .010 DRILLED HOLES ± .008 - .003 PUNCHED HOLES ± .016 MACHINED SURFACES ARE		
STADCO STAUFFER DIESEL INC. EPHRATA, PA., U.S.A. 17522		
DRAWN BY: TJS	DATE: 1/2/2013	DWG. NO.: 13035
SCALE: 1:10	WEIGHT:	SHEET 1 OF 1