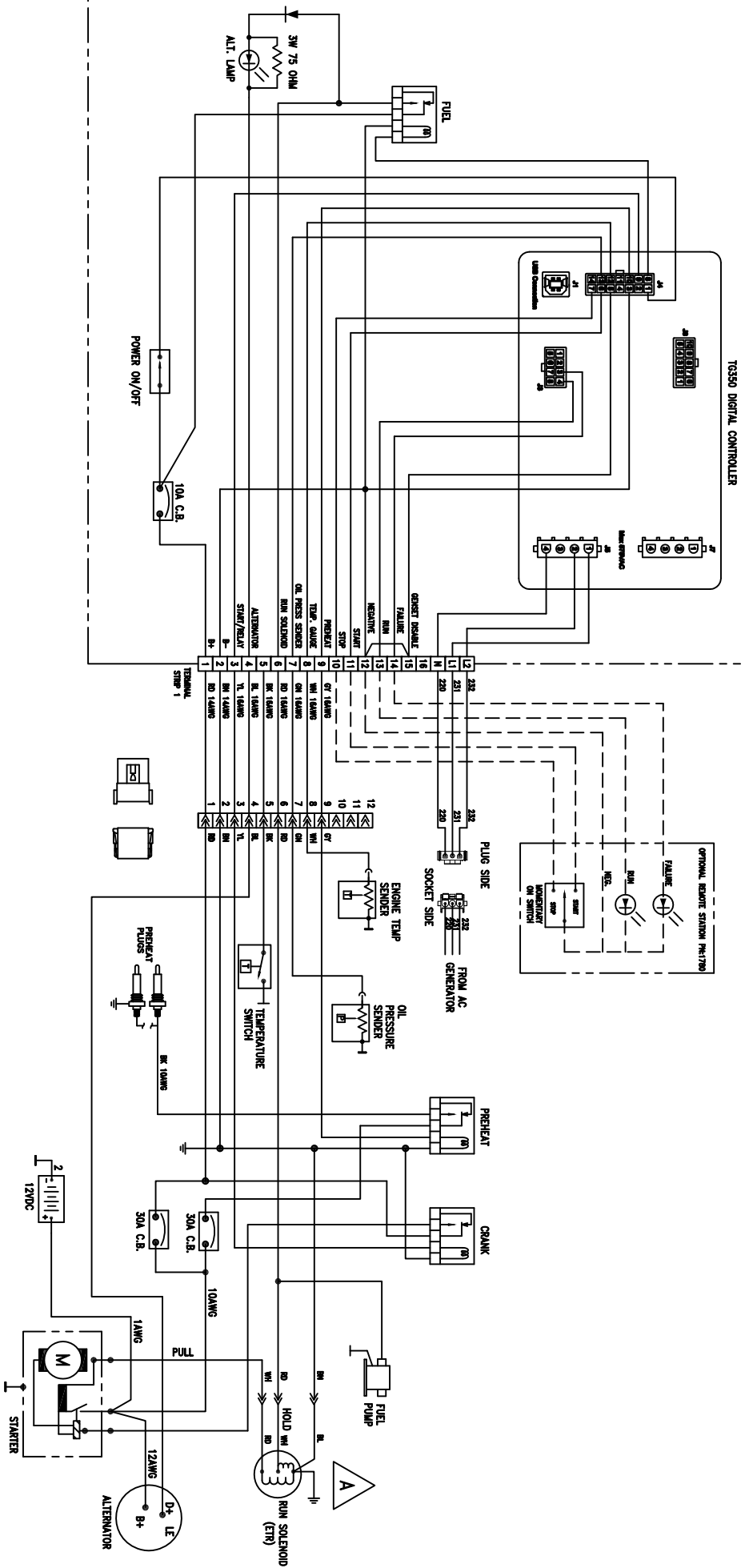


MAIN CONTROL PANEL PN:1779

REV	DESCRIPTION	DATE	INT.	ECN
A	REVISED WIRING OF RUN SOLENOID	8/15/2013	BKH	3348



TITLE: 12VDC WIRING DIAGRAM - KIT #1779 - MITSUBISHI ENG.

THE FOLLOWING TOLERANCES APPLY  
UNLESS OTHERWISE SPECIFIED:

ALL DIMENSIONS ARE INCH [mm]

DECIMALS ± .060

ANGLES ± 1°

FRACTIONS ± 1/32

MACHINED SURFACES ARE 125

PUNCHED HOLES ±.008 - .003

DRILLED HOLES ±.016

**STADCO**  
**STAUFFER DIESEL INC**  
EPHRAATA, PA., U.S.A. 17622

DRAWN BY: B.K. HELM  
SCALE: FULL  
DATE: 12/20/2012

GROUP NO. ORDER NO. 1 OF 1 DRAWING NO. 13034