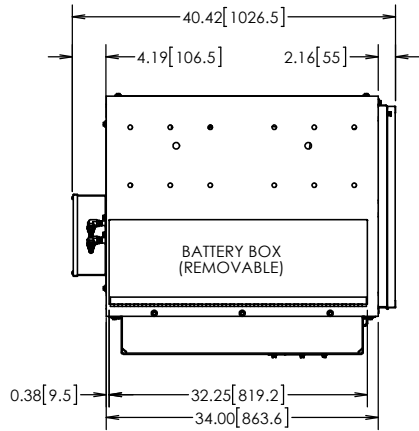
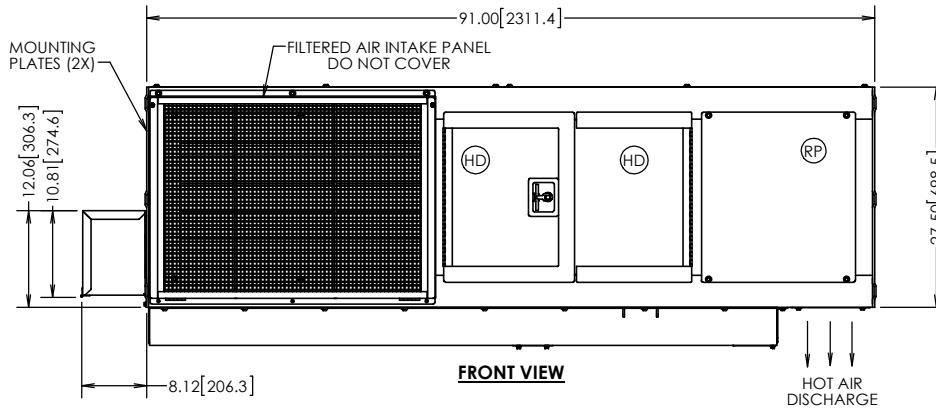


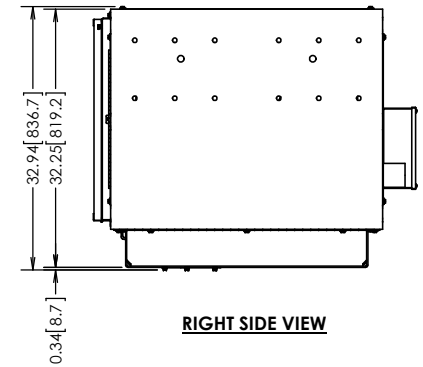
TOP VIEW



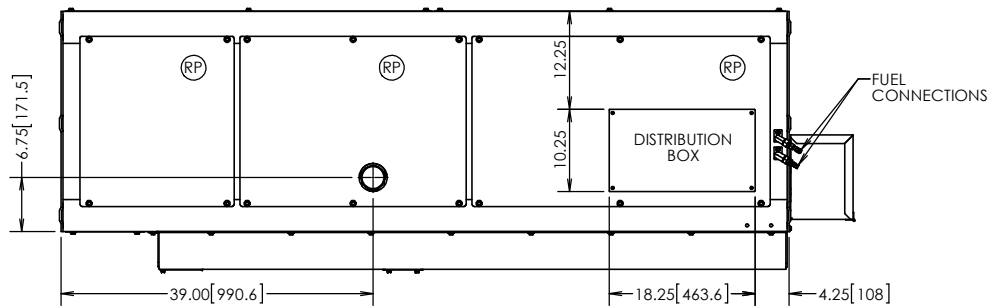
LEFT SIDE VIEW



FRONT VIEW



RIGHT SIDE VIEW



REAR VIEW

PROPRIETARY AND CONFIDENTIAL

THE INFORMATION CONTAINED IN THIS DRAWING IS THE SOLE PROPERTY OF STADCO/STAUFFER DIESEL INC. ANY REPRODUCTION IN PART OR AS A WHOLE WITHOUT THE WRITTEN PERMISSION OF STADCO/STAUFFER DIESEL INC. IS PROHIBITED.

TITLE: 5-110T3 RAILGEN SALES DRAWING

THE FOLLOWING TOLERANCES APPLY UNLESS OTHERWISE SPECIFIED:

DIMENSIONS ARE IN INCHES (MM)
 FRACTIONAL ± 1/32
 ONE PLACE DECIMAL ± .040
 TWO PLACE DECIMAL ± .030
 THREE PLACE DECIMAL ± .010
 DRILLED HOLES +.008 - .003
 PUNCHED HOLES ± .016

MACHINED SURFACES ARE $\sqrt{125}$

**STADCO
 STAUFFER DIESEL INC.
 EPHRATA, PA., U.S.A. 17522**

DRAWN BY: B.K. HELM	DATE: 5/01/2012	DWG. NO.: 12989
SCALE: 1:12	WEIGHT: 1557.68	SHEET 1 OF 1