

“Cellpac™” Series Generator Identification

CP20 & CP25

CP6.5 thru CP15

3.4 How to Identify the Genset

For generator identification locate Model/SN tag located on top of the generator cooling enclosure **Item #1**, **Figure 3.4.1**.

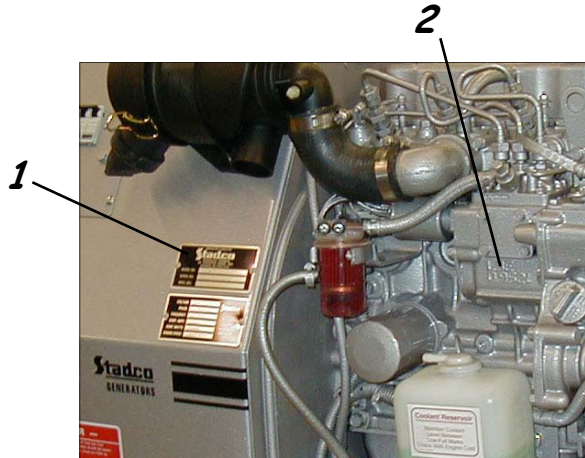


Figure 3.4.1

Engine Identification

It is necessary and important to identify the **Engine Model No.** and **Serial No.** when ordering parts or needing service **Item #2** **Figure 3.4.1**.

3.4 How to Identify Genset

For genset identification locate tag shown **Figure 3.4.1**. This tag is located on the generator cooling enclosure **Item#1** **Figure 3.4.2**.

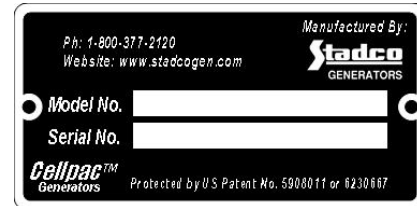


Figure 3.4.1

Engine Identification

It is necessary and important to identify the **Model No.** and **Serial No.** of the engine when ordering parts or needing service.

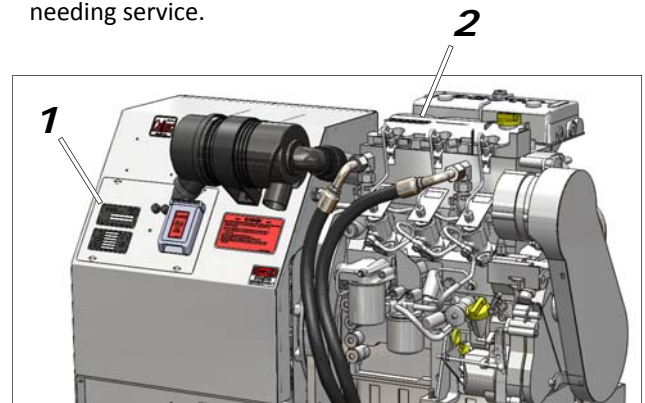


Figure 3.4.2

The engine Rating Plate/Model/SN tag is attached to the top of the engine valve cover **Item#2**, **Figure 3.4.2**. The engine serial number is also stamped on the engine crankcase, **Figure 3.4.3**.

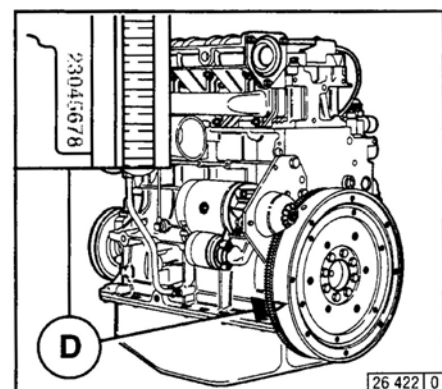


Figure 3.4.3

“CD” Series Generator Identification

CD10 & CD15

CD20, CD30 & CD40T4

3.4 How to Identify Genset

For genset identification locate tag similar to *Figure 3.4.1*. This tag is located on the generator connection cabinet.



Figure 3.4.1

Engine Identification

It is necessary and important to identify the **Model No.** and **Serial No.** of the engine when ordering parts or needing service.

The engine Model & SN can be found on top of the engine valve cover *Item#1* *Figure 3.4.2* and the SN is stamped in the injection pump housing *Item#2*.

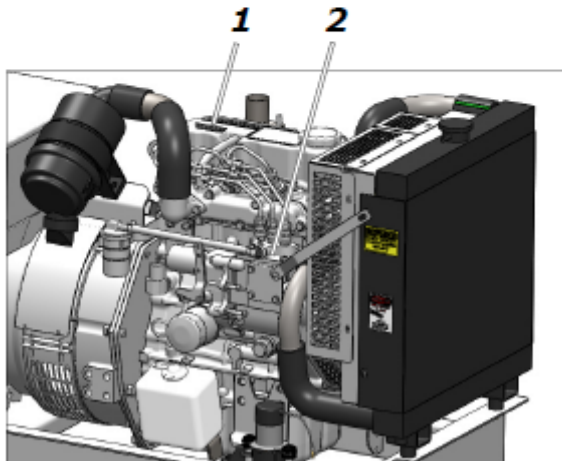


Figure 3.4.2

3.4 How to Identify Genset

For genset identification locate tag similar to *Figure 3.4.1*. This tag is located on the generator connection cabinet.



Figure 3.4.1

Engine Identification

It is necessary and important to identify the **Model No.** and **Serial No.** of the engine when ordering parts or needing service.

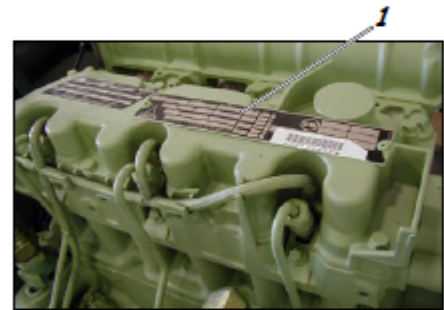


Figure 3.4.2

The engine Rating Plate/Model/SN tag is attached to the top of the engine valve cover *Item #1*, *Figure 3.4.2*. The engine serial number is also stamped on the engine crankcase, *Figure 3.4.3*.

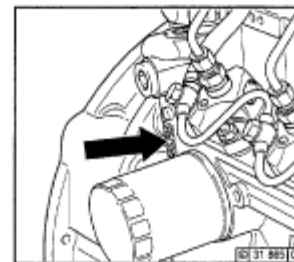


Figure 3.4.3

HR30 & HR40T4

3.4 How to Identify Genset

For genset identification locate tag similar to **Figure 3.4.1**. This tag is located on the generator connection



Figure 3.4.1

Engine Identification

It is necessary and important to identify the **Model No.** and **Serial No.** of the engine when ordering parts or needing service.

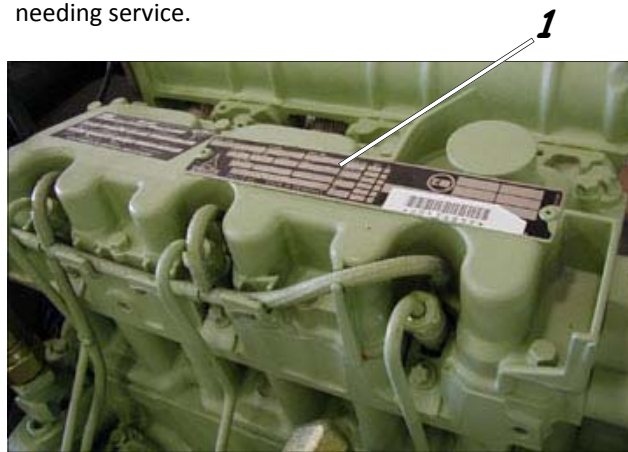


Figure 3.4.2

The engine Rating Plate/Model/SN tag is attached to the top of the engine valve cover **Item #1, Figure 3.4.2**. The engine serial number is also stamped on the engine crankcase, **Figure 3.4.3**.

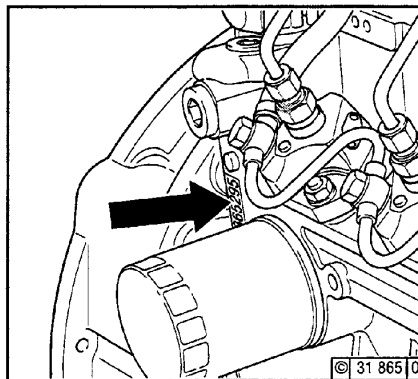


Figure 3.4.3

"Railgen™" Series Generator Identification

5-55T3

5-80T3 & 5-110T3

3.4 How to Identify Genset

For genset identification locate tag similar to **Figure 3.4.1**. This tag is located on the generator connection cabinet.



Figure 3.4.1

Engine Identification

It is necessary and important to identify the **Model No.** and **Serial No.** of the engine when ordering parts or needing service.



Figure 3.4.2

The engine Rating Plate/Model/SN tag is attached to the top of the engine valve cover **Item #1, Figure 3.4.2**. The engine serial number is also stamped on the engine crankcase, **Figure 3.4.3**.

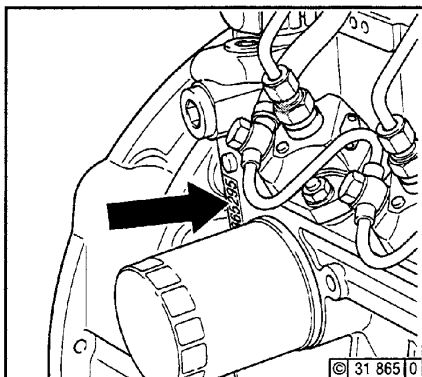


Figure 3.4.3

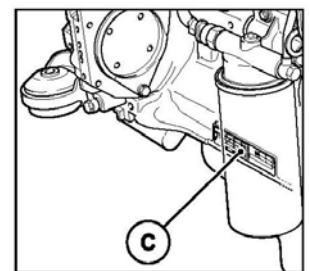
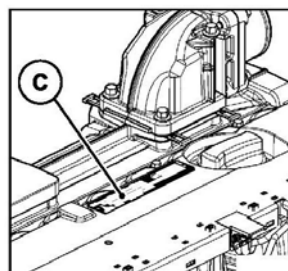
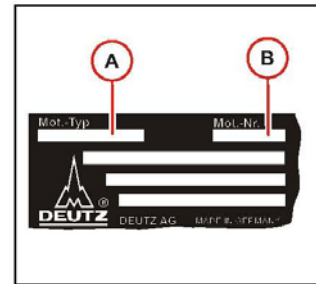
3.4 How to Identify Genset

For genset identification locate Genset Model & Serial No tag inside generator enclosure service doors.



Engine Identification

It is necessary and important to identify the **Model No.** and **Serial No.** of the engine when ordering parts or needing service. The engine Model & Serial No is located on a tag attached to the side of the engine block.



A - Model Number

B - Serial Number

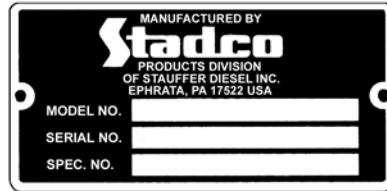
C - The engine Rating Plate is attached to the side of the engine block to the left of the oil filter.

“Railgen™” Series Generator Identification

5-150DA & 5-175DA

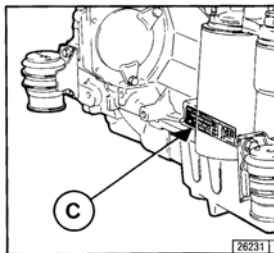
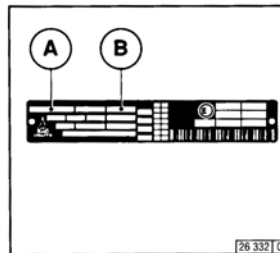
3.4 HOW TO IDENTIFY GENSET

For genset identification locate tag similar to the following figure. This tag is located on the genset frame rail inside the service access doors.



ENGINE IDENTIFICATION

It is necessary and important to identify the **Model No.** and **Serial No.** of the engine when ordering parts or needing service. Shown below is a sample engine tag.



A - Model Number

B - Serial Number

C - The engine Rating Plate is attached to the side of the engine block to the left of the oil filter.